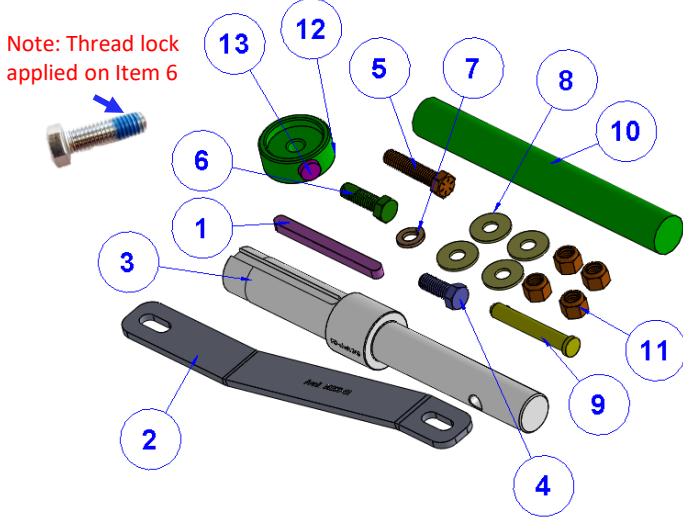
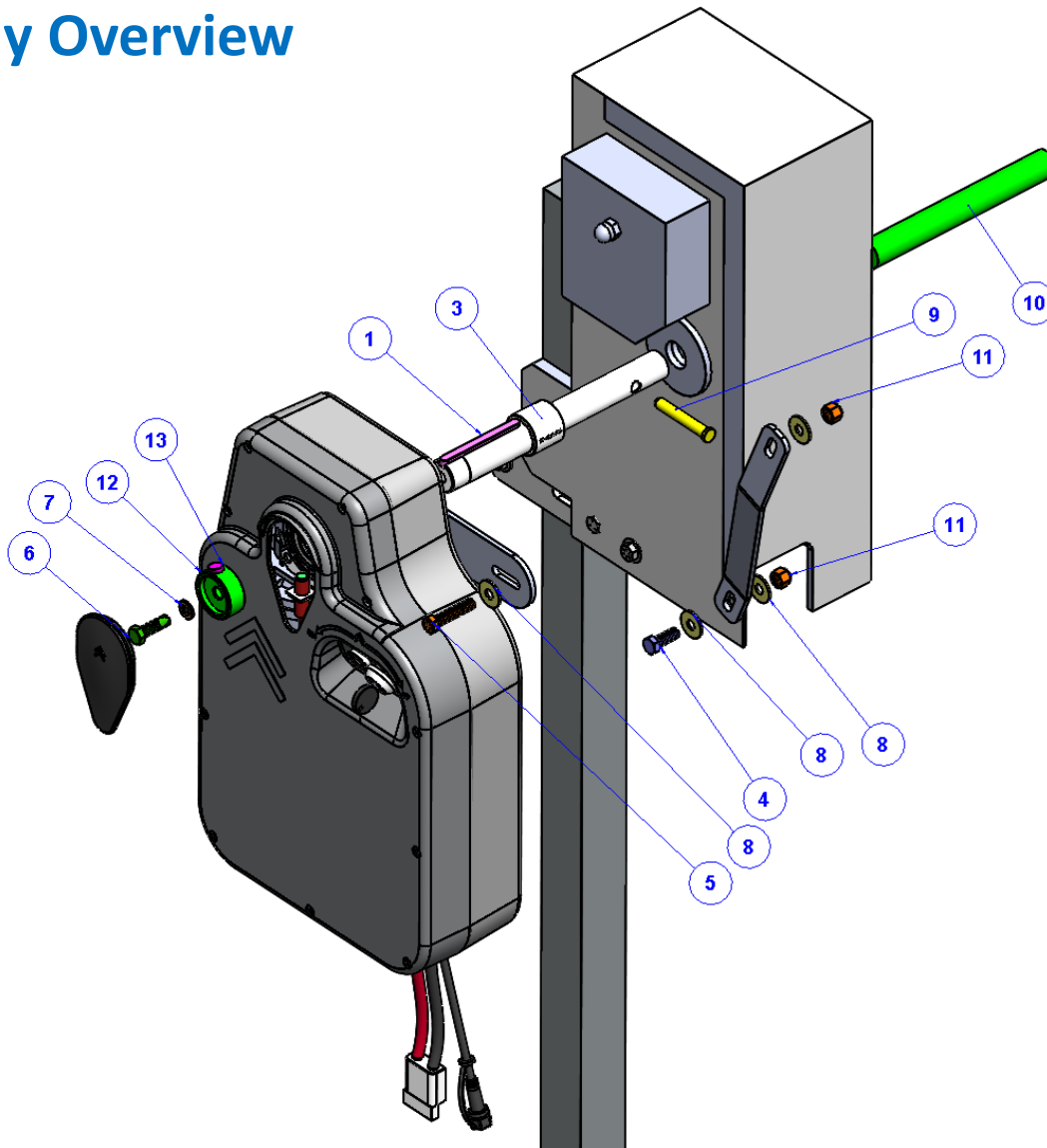


## Kit Contents

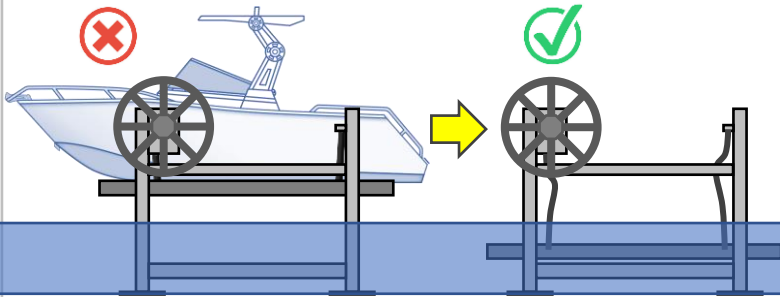


ITEM NO.	PN	DESCRIPTION	QTY.
1	103-0002	KEY, FOR WINCH SHAFT, 8mm X 7mm X 88mm	1
2	135-0035	HOLD ARM, FOR INSTAL KIT, PORTADOCK, Arm1 30290-42	1
3	135-0034	WINCH SHAFT, PORTADOCK SHAFT REPLACEMENT, PD-shaft 249	1
4	101-0001	HEX HEAD 3/8-16 X 1" SS SCREW	1
5	101-0016	3/8-16"X 1-3/4"L HEX HEAD	1
6	101-0002	HEX HEAD 3/8-16 X 1.25" SS SCREW, W/ LOCTITE PATCH	1
7	102-0002	WASHER, LOCK, 3/8"	1
8	102-0001	WASHER, 3/8"ID X 1"OD X .07"	4
9	125-0107	Flat-Head Quick-Release Pins	1
10	125-0109	DOWEL, WOOD, 1" X 8"	1
11	125-0045	High-Strength Steel Nylon-Insert Locknut	4
12	114-0027	MAGNET HOLDER	1
13	119-0017	MAGNET, .5"L X .25"	1

## Assembly Overview



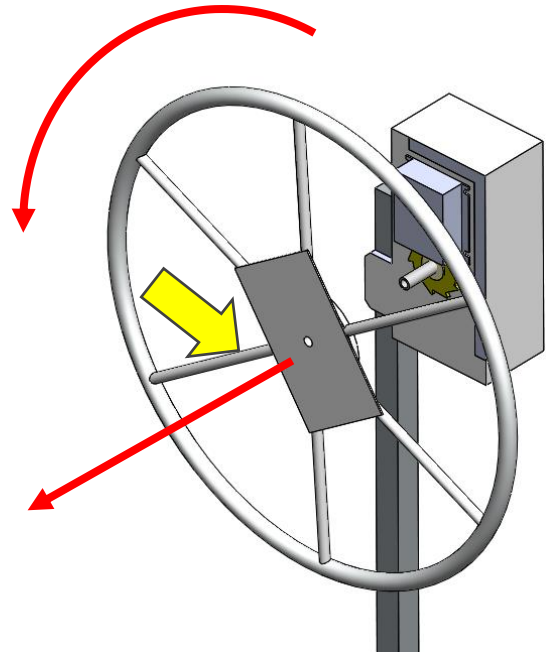
## 1 IMPORTANT



Fully lower the boat lift, remove the boat and any weight from the boat lift carriage. The cable should be slack. Ensure the lift carriage is fully down.

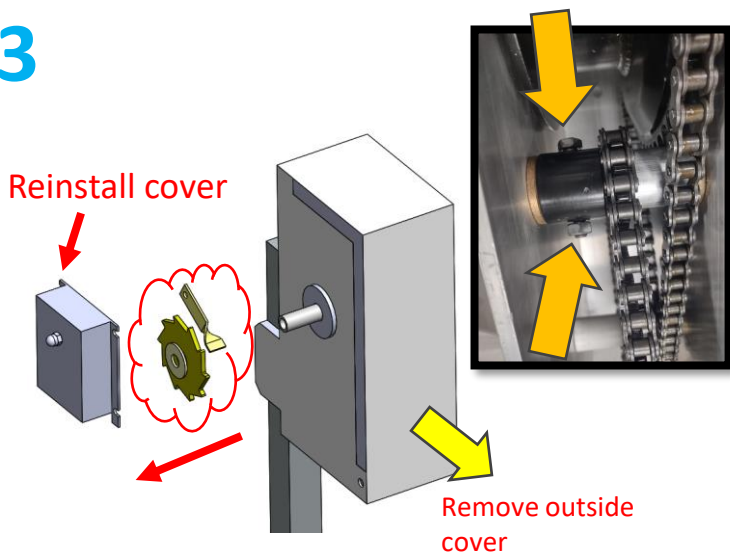
Failure to remove all weight before operating on the lift will lead to serious damage to the lift, boat, and may cause personal injury and or death.

## 2



Remove the nut, washer, or bolt holding the wheel on. Turn the wheel counter-clockwise to unthread the wheel from the winch shaft. NOTE: if the wheel is rusted to the shaft try holding the shaft to prevent the shaft from turning while you turn the wheel to break free.

## 3

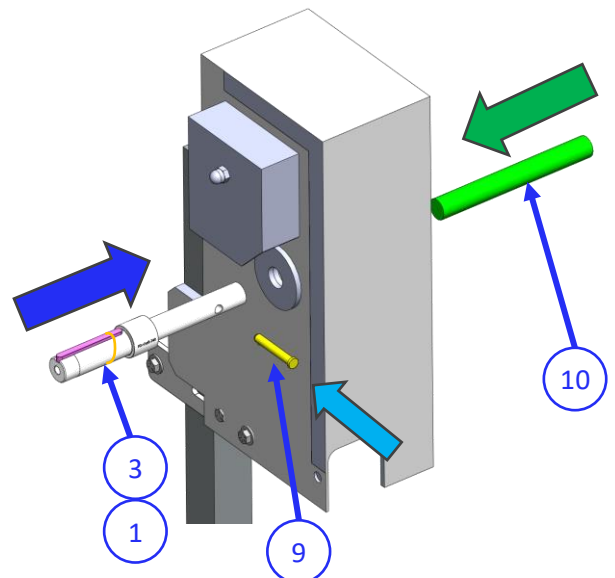


Remove the cover and then remove the brake dog and brake disc. These items will no longer be used.

**Reinstall the cover when finished.**

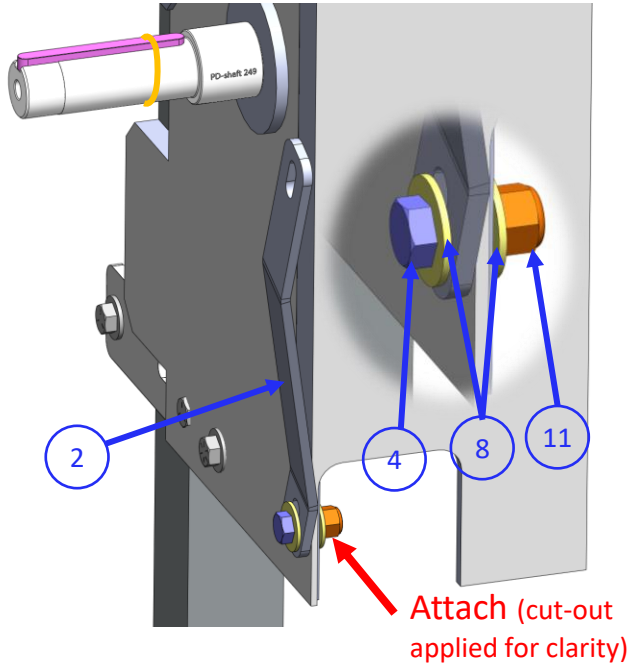
Remove outside cover to expose internal components. This will be re-installed later. Remove internal retaining bolt and nut from old shaft

## 4



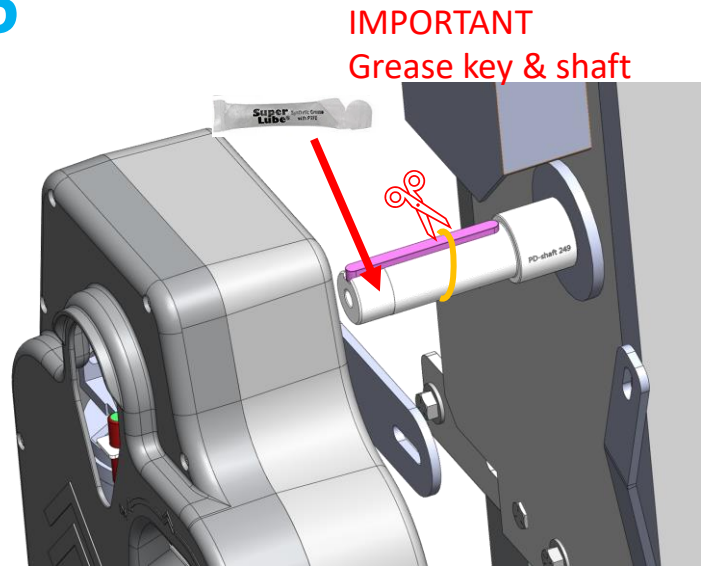
1. From the rear of the winchbox, slide the dowel rod to push out the old shaft. A rubber mallet may be required.
2. Use the new shaft to push the dowel rod back out. A rubber mallet may be required.
3. Once installed, install holding pin to retain shaft.
4. Reinstall outside cover.

## 5



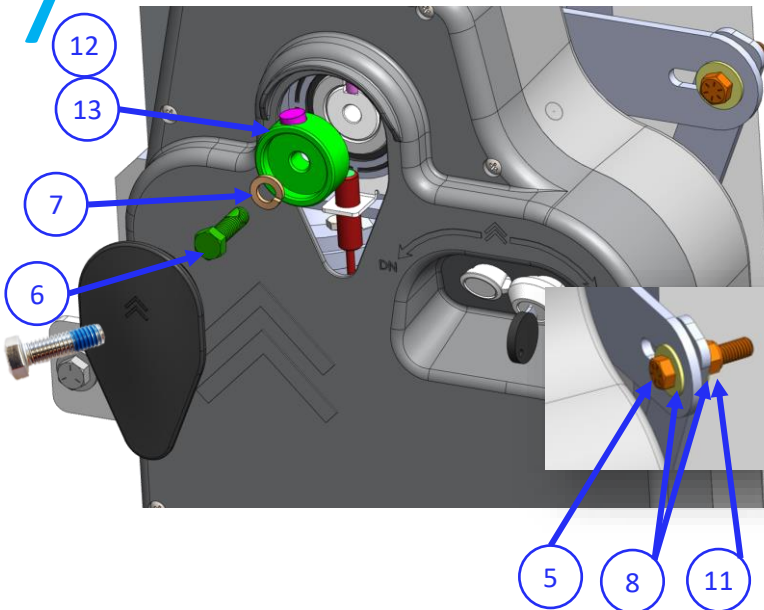
1. Attach the hold arm to the lower right corner of the winch box as shown.
2. NOTE: Keep bolts & nuts loose at this stage as adjustments may be needed in the next steps.

## 6



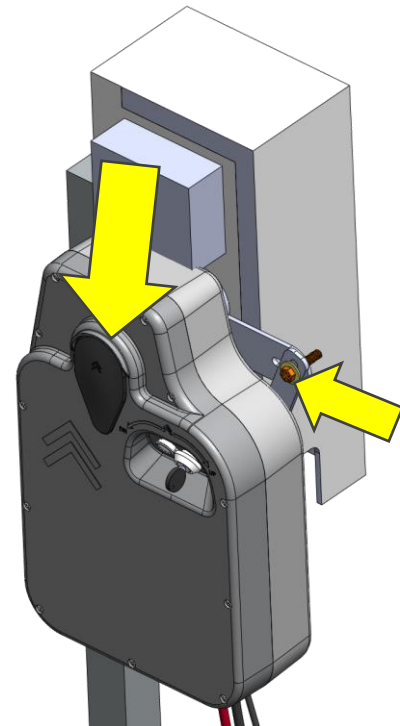
1. Grease key shaft & key before installing motor
2. Line motor keyway up with the shaft keyway and carefully slide the motor onto the shaft. Once started cut the rubber band retaining the key.

## 7



1. Install the black thick motor washer & holding bolt to secure the motor to the shaft. After tightening the back side of the motor should be tightly against the collar on the shaft.
2. Make necessary adjustments to motor torque arm and hold arm positions then tighten securely.

## 8



Verify rubber cover is re-installed and all hardware is tight.