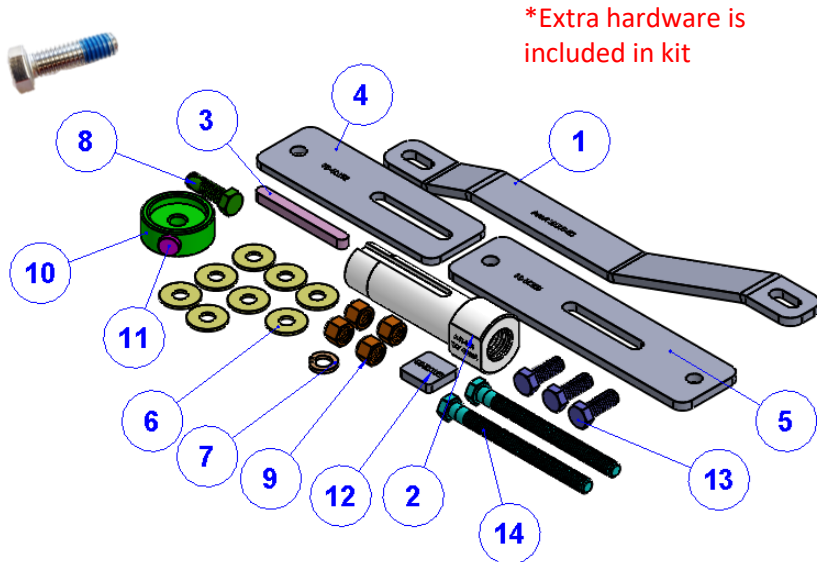
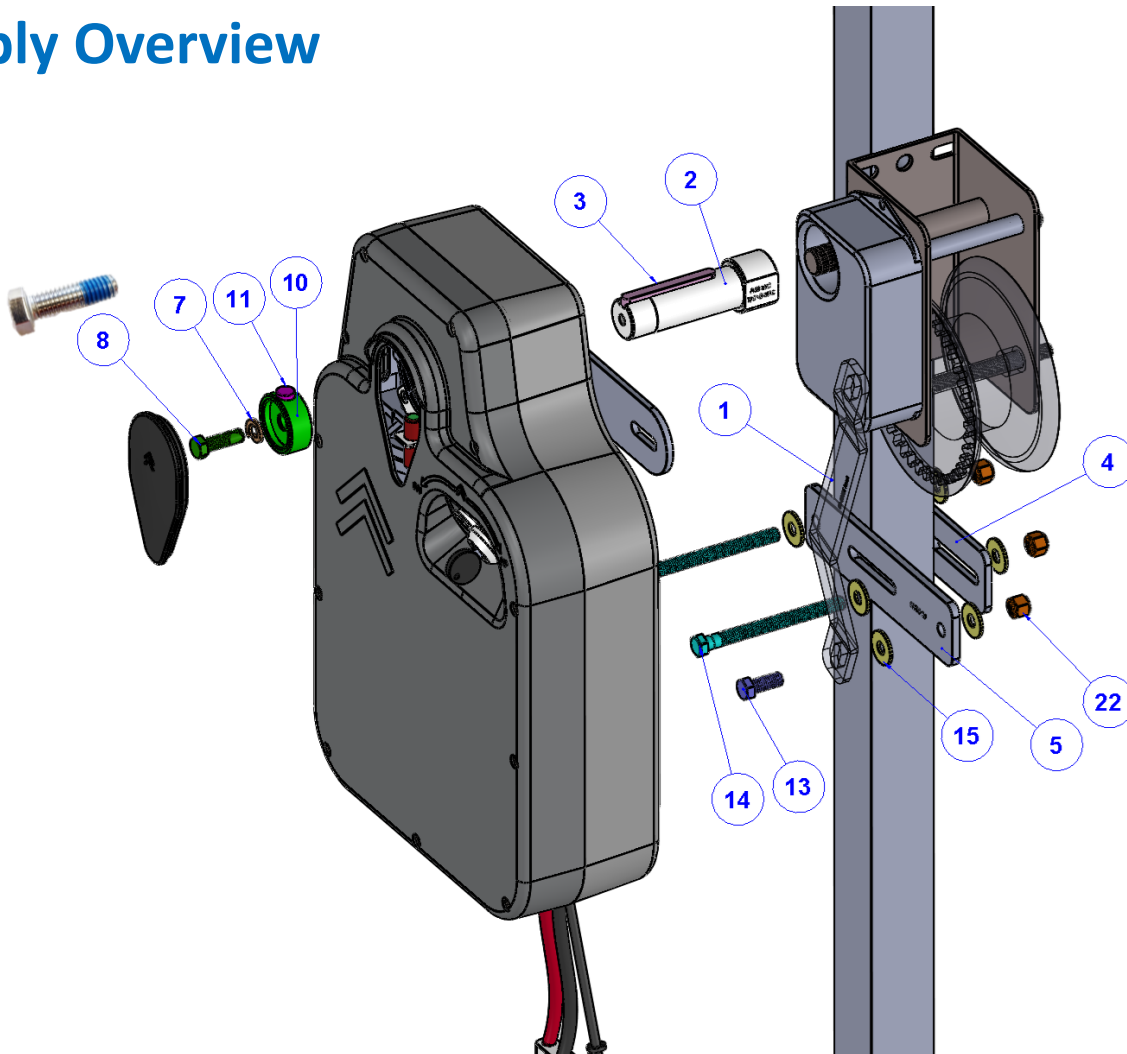


Kit Contents

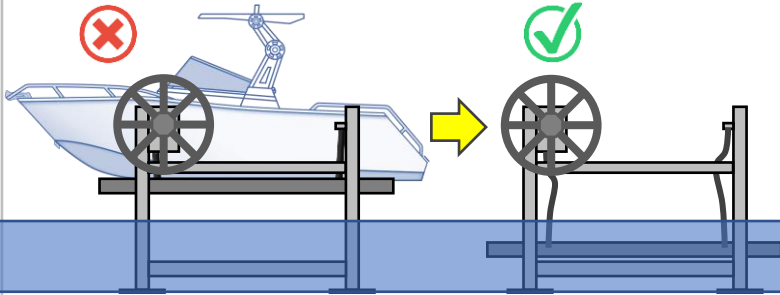


ITEM NO.	PART NUMBER	DESCRIPTION	QTY.
1	118-0045	HOLD ARM, ARM4 30360-60, FOR DLB	1
2	105-0002	SHAFT ADAPTER, AD3-118, 7/8"-9 ACME	1
3	103-0001	KEY, 8MM X 7MM X 75MM	1
4	118-0047	MOUNT BRACKET, P5-50152, MOUNT BRACKET FOR DLB	1
5	118-0046	MOUNT BRACKET, P5-50203, FOR DLB MOUNTING	1
6	102-0001	WASHER, 3/8"ID X 1"OD X .07"	8
7	102-0002	WASHER, LOCK, 3/8"	1
8	101-0002	HEX HEAD 3/8-16 X 1.25" SS SCREW, W/ LOCTITE PATCH	1
9	125-0045	High-Strength Steel Nylon-Insert Locknut	4
10	114-0027	MAGNET HOLDER	1
11	119-0017	MAGNET, .5"L X .25"	1
12	115-0001	GREASE	1
13	101-0001	HEX HEAD 3/8-16 X 1" SS SCREW	3
14	101-0003	HEX HEAD 3/8-16 X 4.5"	2

Assembly Overview



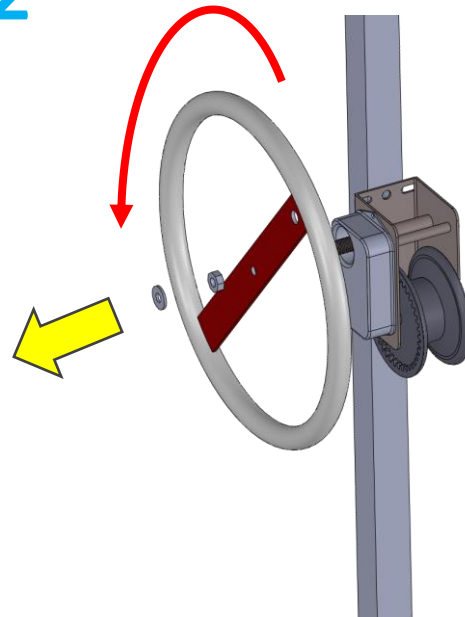
1 IMPORTANT



Fully lower the boat lift, remove the boat and any weight from the boat lift carriage. The cable should be slack. Ensure the lift carriage is fully down.

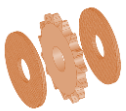
Failure to remove all weight before operating on the lift will lead to serious damage to the lift, boat, and may cause personal injury and or death.

2

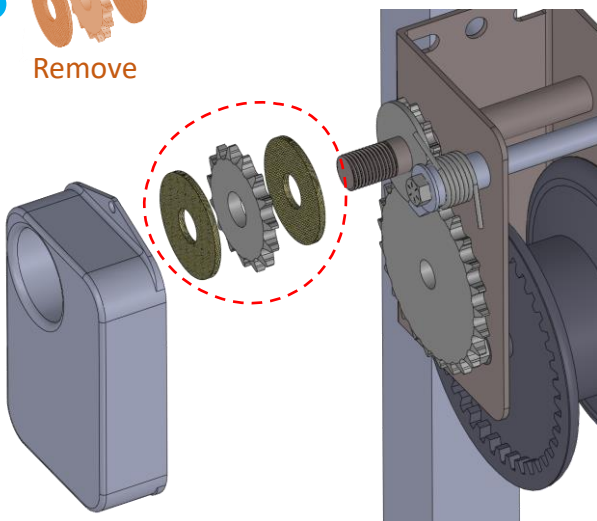


Remove the nut, washer, or bolt holding the wheel on. Turn the wheel counter-clockwise to unthread the wheel from the winch shaft. NOTE: if the wheel is rusted to the shaft try holding the shaft to prevent the shaft from turning while you turn the wheel to break free.

3



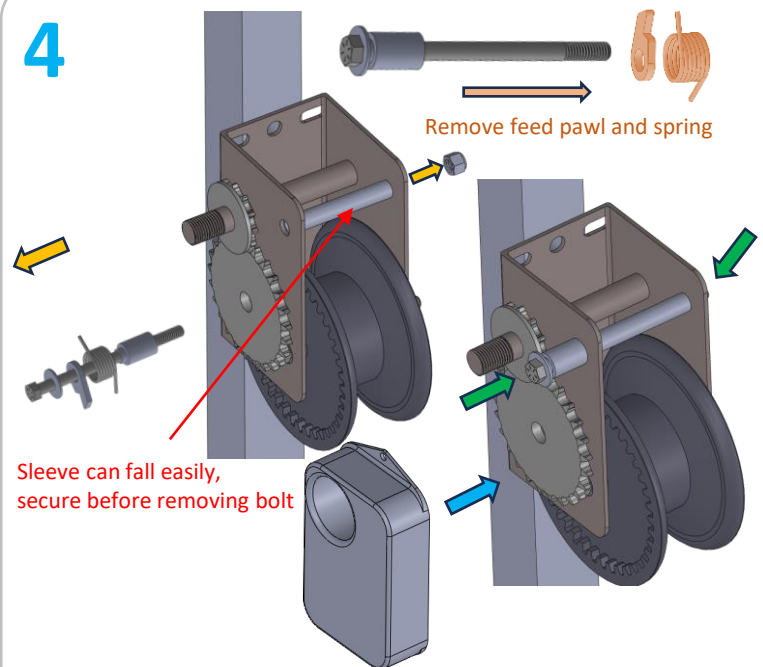
Remove



Remove the cover and brake disc. These items will no longer be used. Reinstall the cover when finished.

Save these items with the wheel incase you need to replace them later or sell the boat lift and keep your motor for your new boat lift.

4

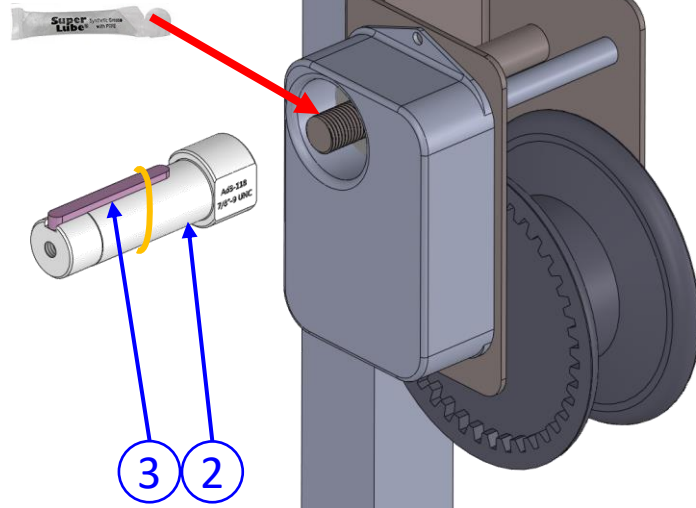


Sleeve can fall easily, secure before removing bolt

1. Remove holding nut from screw. Slowly remove screw while preventing items on screw from falling.
2. Remove the feed pawl and spring from the hardware stack
3. Reassemble as shown, verify holding nut is tight.
4. Re-install cover

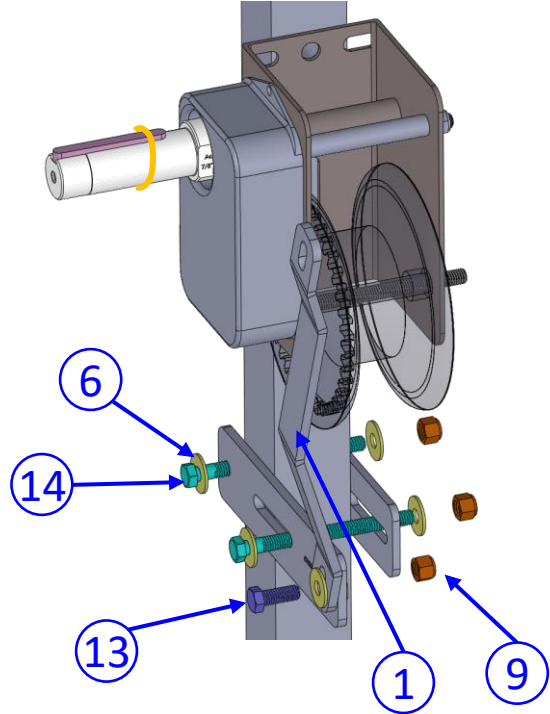
5

IMPORTANT
Grease threaded shaft



1. **IMPORTANT:** Grease the threaded winch shaft **BEFORE** installing the key adapter.
2. Install adapter

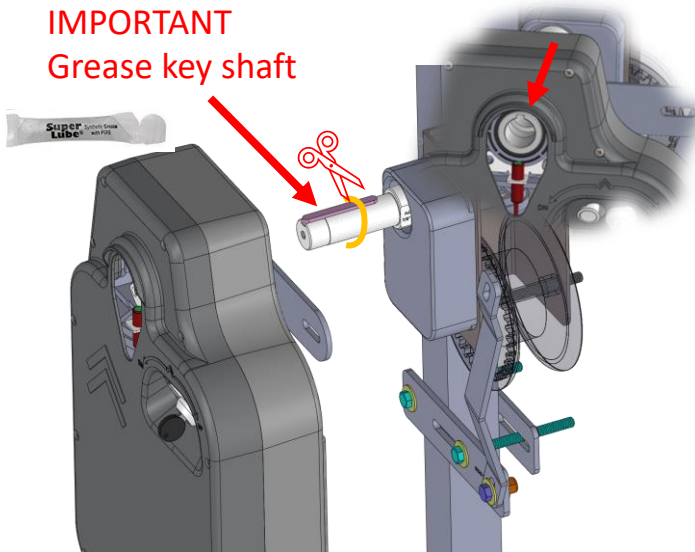
6



1. Install hardware and brackets around post as shown
2. Mount hold arm to the installed post mount, leave hardware loose to make adjustments

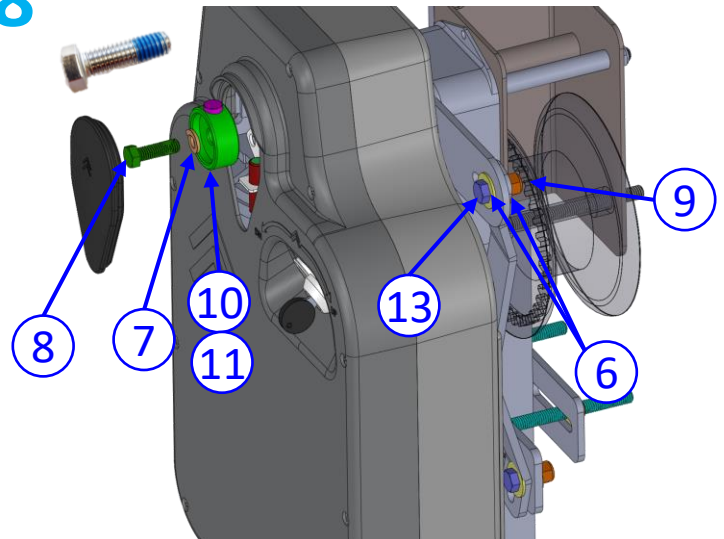
7

IMPORTANT
Grease key shaft



1. Apply grease onto adapter and key. Align motor key and shaft key.
2. Slide motor onto shaft
3. Once the motor is started onto the shaft, cut the rubber.

8



1. Mount the magnet holder using the fastener with **BLUE Loctite applied**.
2. Add hardware to fasten the hold arm to the motor
3. Verify all hardware is tighten.