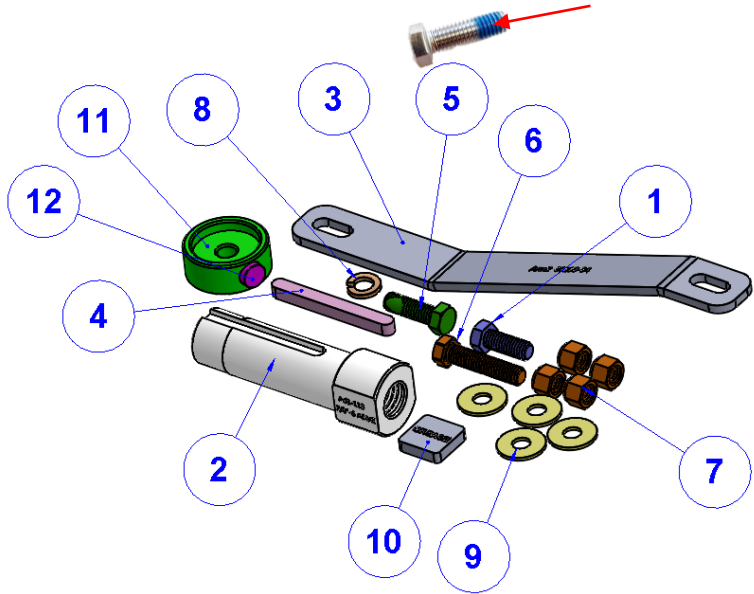


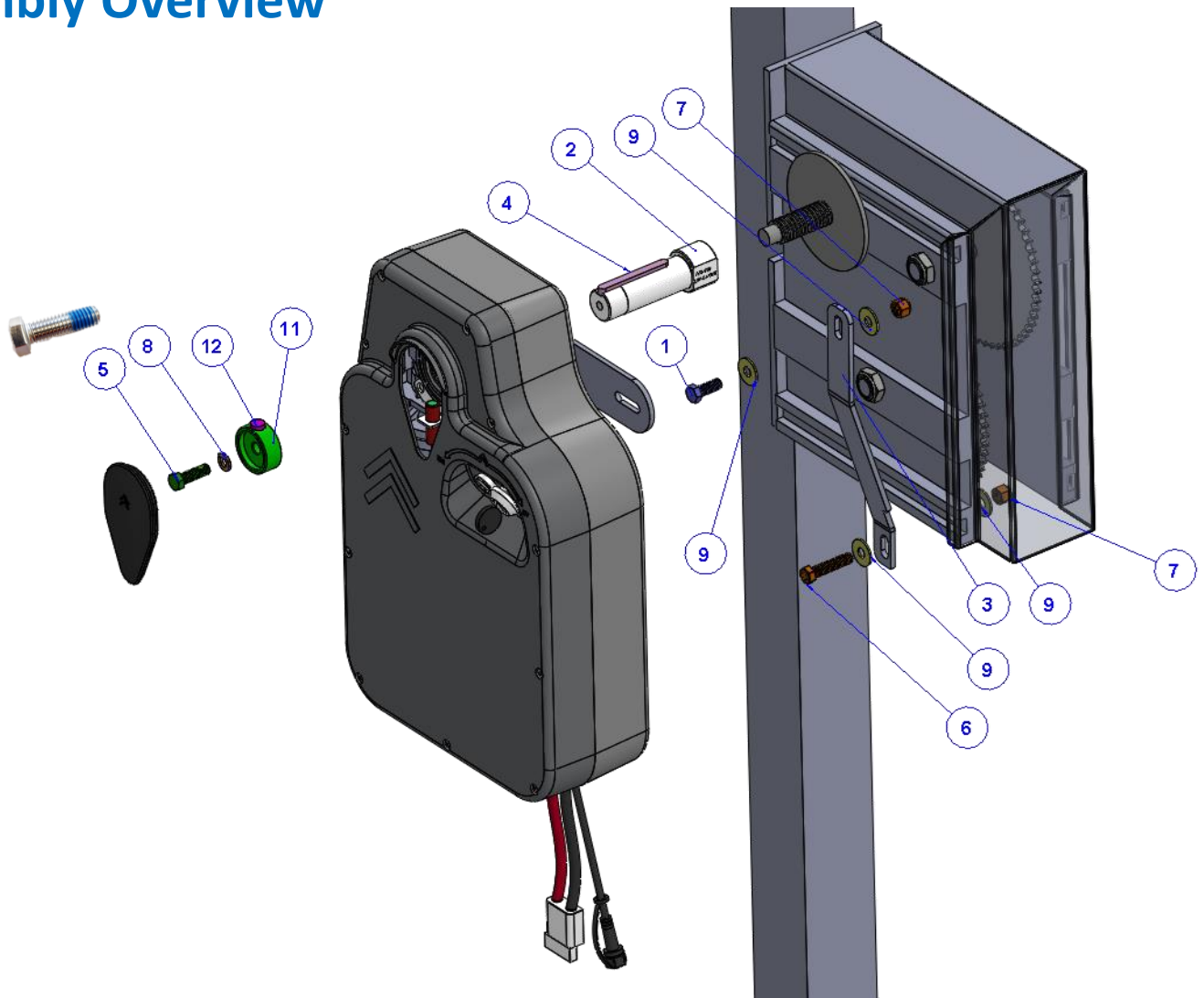
Kit Contents

Note: Loctite patch

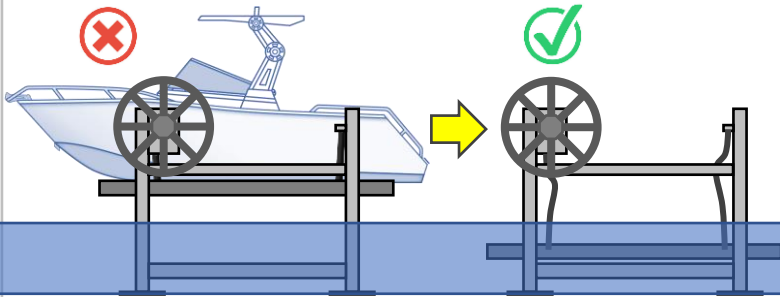


ITEM NO.	PART NUMBER	DESCRIPTION	QTY.
1	101-0001	HEX HEAD 3/8-16 X 1" SS SCREW	1
2	105-0003	ADAPTER, HARBORMASTER, AD1-118, 7/8"-6 ACME	1
3	118-0048	HOLD ARM, ARM2 30290-54, HARBORMASTER	1
4	103-0001	KEY, 8MM X 7MM X 75MM	1
5	101-0002	HEX HEAD 3/8-16 X 1.25" SS SCREW, W/ LOCTITE PATCH	1
6	101-0016	3/8-16"X 1-3/4"L HEX HEAD High-Strength Steel Nylon-Insert	1
7	125-0045	Locknut	4
8	102-0002	WASHER, LOCK, 3/8"	1
9	102-0001	WASHER, 3/8"ID X 1"OD X .07"	4
10	115-0001	GREASE	1
11	114-0027	MAGNET HOLDER	1
12	119-0017	MAGNET, .5"L X .25"	1

Assembly Overview



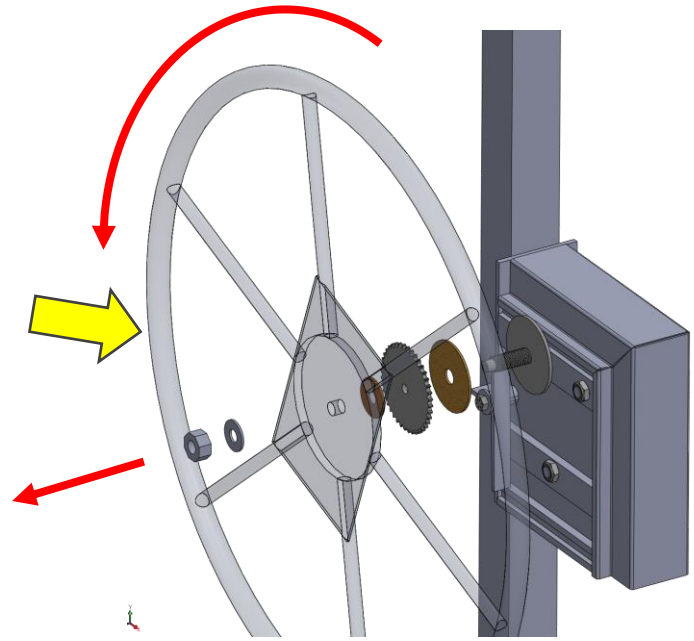
1 IMPORTANT



Fully lower the boat lift, remove the boat and any weight from the boat lift carriage. The cable should be slack. Ensure the lift carriage is fully down.

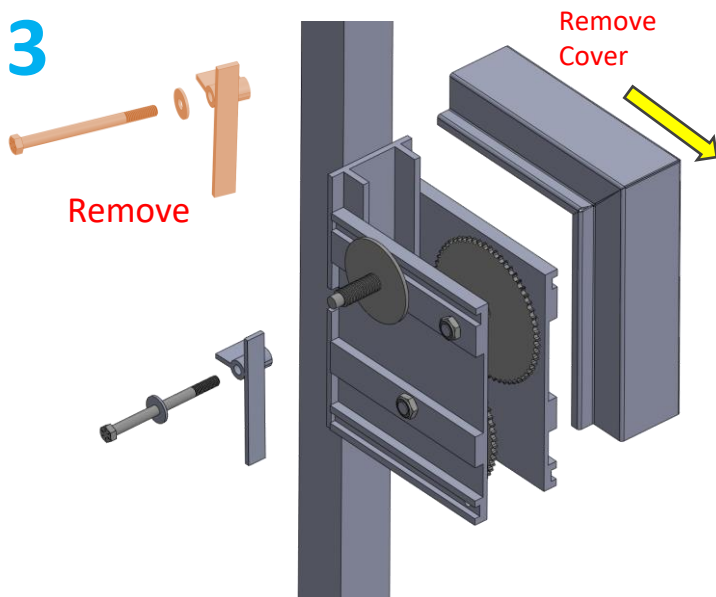
Failure to remove all weight before operating on the lift will lead to serious damage to the lift, boat, and may cause personal injury and or death.

2



Remove the nut, washer, bolt, and clutch components holding the wheel on. Turn the wheel counter-clockwise to unthread the wheel from the winch shaft. NOTE: if the wheel is rusted to the shaft try holding the shaft to prevent the shaft from turning while you turn the wheel to break free.

3

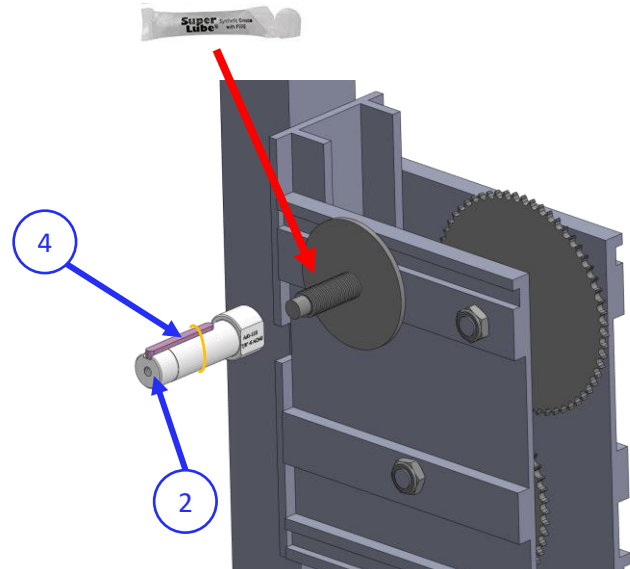


Remove the cover and then remove the break. These items will no longer be used.

Save these items with the wheel incase you need to replace them later or sell the boat lift and keep your motor for your new boat lift.

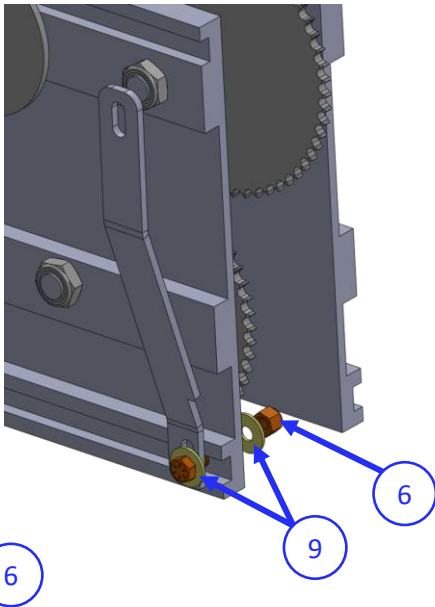
4

IMPORTANT
Grease winch shaft



1. **IMPORTANT:** Grease the threaded winch shaft BEFORE installing the key adapter.
2. Thread the key adapter onto the winch shaft.

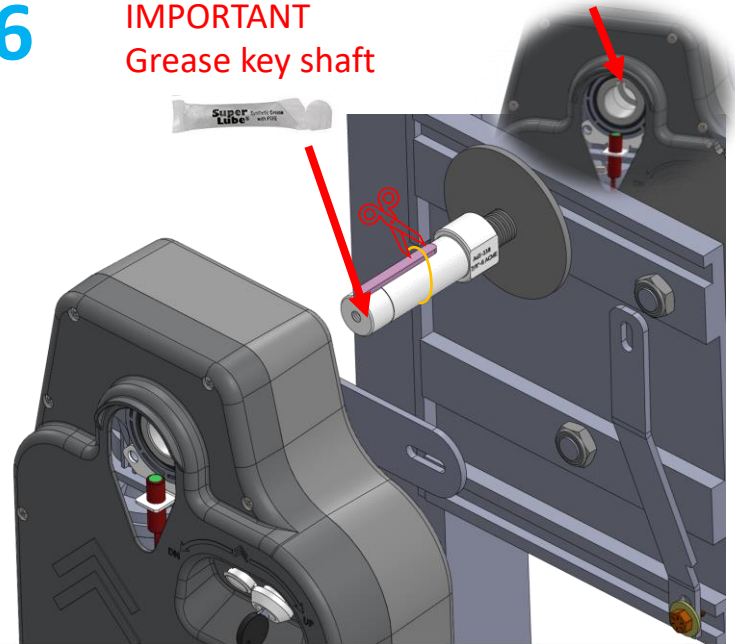
5



1. Attach the hold arm to the lower right corner of the winch box as shown.
2. NOTE: keep bolts & nuts loose at this stage as adjustments may be needed in the next steps.

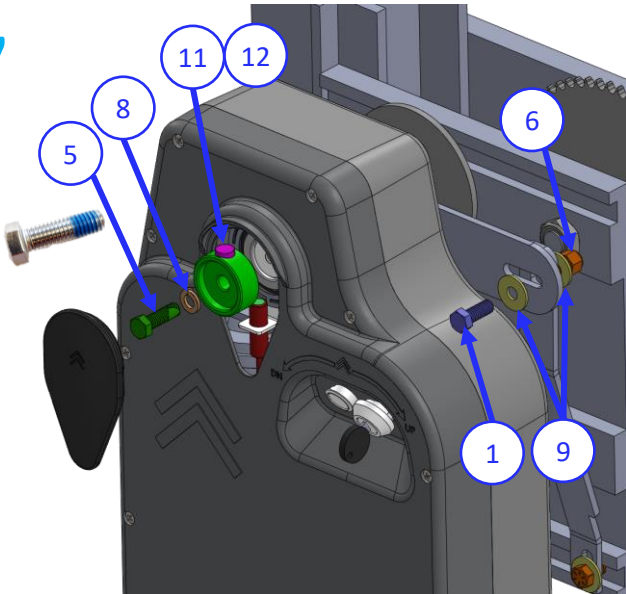
6

IMPORTANT
Grease key shaft



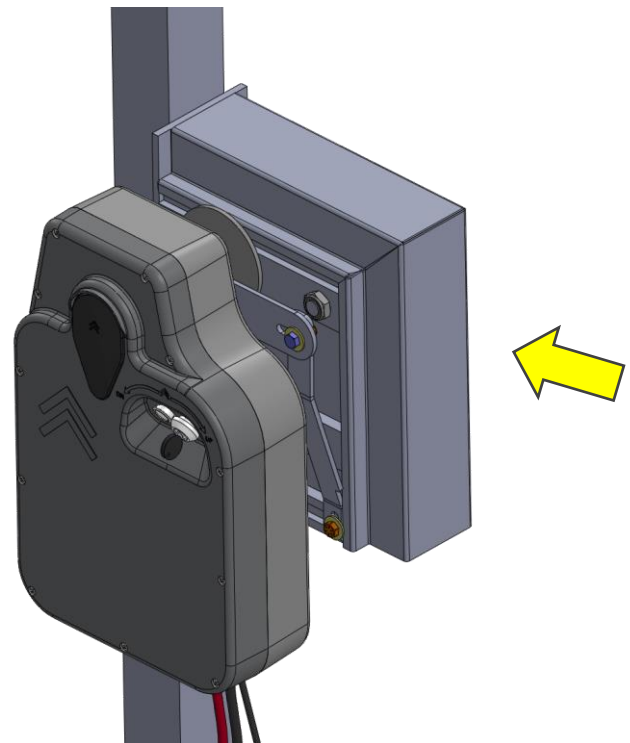
1. Grease key shaft & key before installing motor
2. Line motor keyway up with the shaft keyway and carefully slide the motor onto the shaft.
3. Once the motor is started on shaft, cut the rubber band retaining the key.

7



1. Install the black thick motor washer & holding bolt with **BLUE Loctite patch** to secure the motor to the shaft. After tightening the back side of the motor should be tightly against the collar on the shaft.
2. Add hardware to mount the motor to the torque arm.
3. Make necessary adjustments to motor torque arm and tighten hardware securely

8



1. Re-install cover and verify all hardware is secure