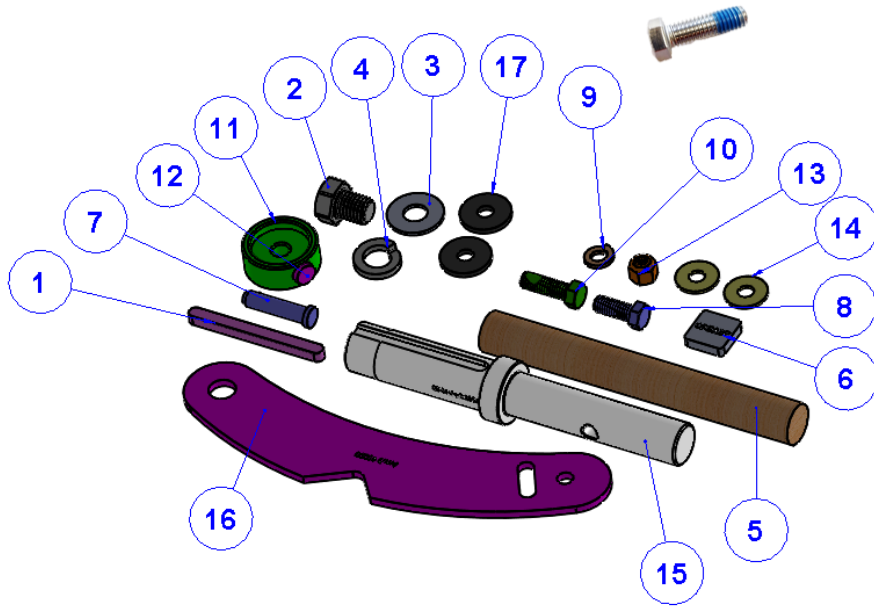
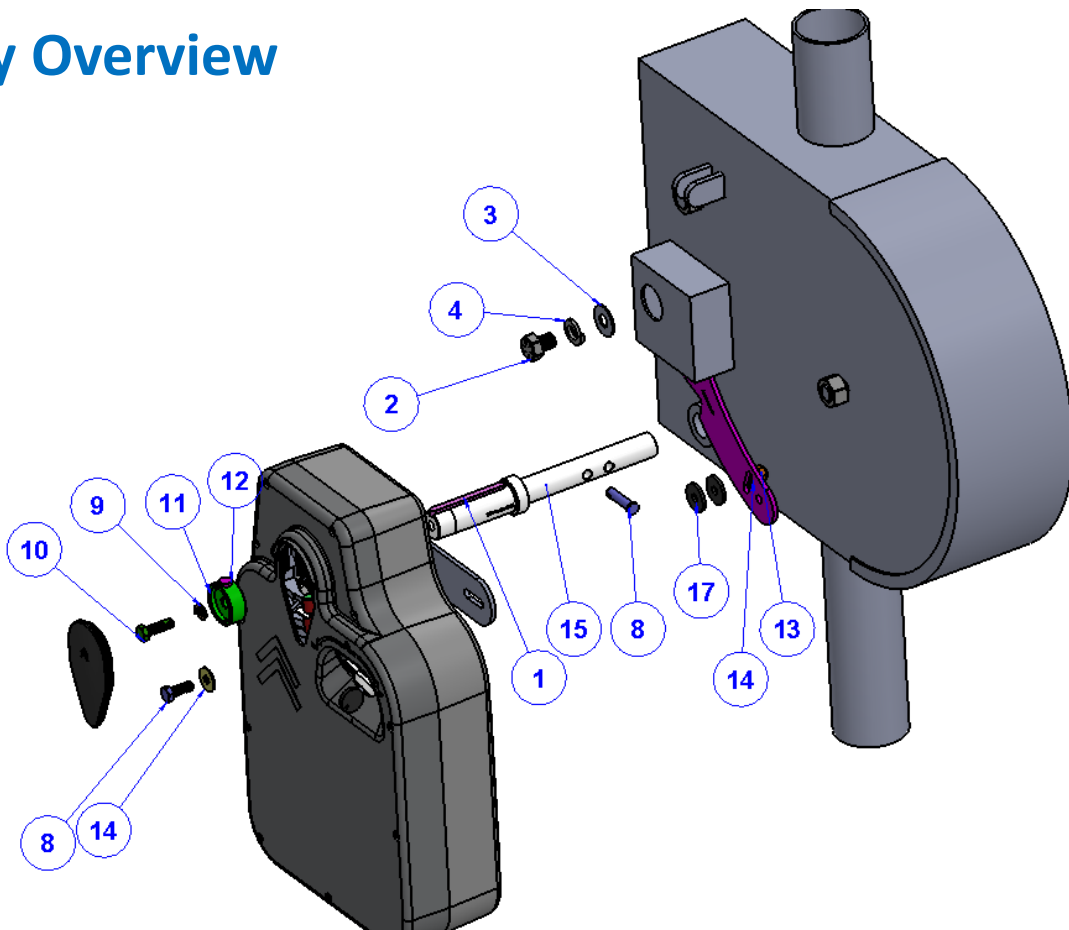


Kit Contents

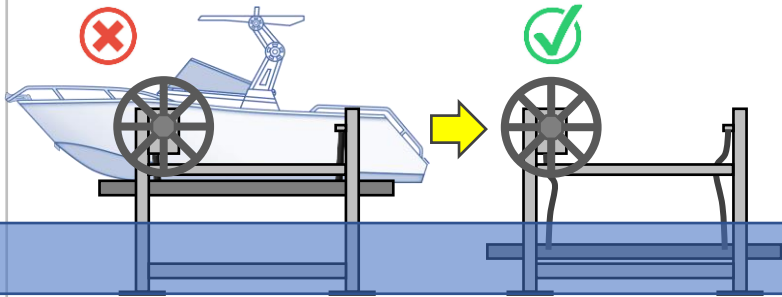


ITEM NO.	PART NUMBER	DESCRIPTION	QTY.
1	103-0002	KEY, FOR WINCH SHAFT, 8mm X 7mm X 88mm	1
2	101-0018	5/8"-11 X 3/4"L SCREW, HEX HEAD, SS	1
3	102-0004	WASHER, FLAT, 1 5/16" OD X 5/8" ID X .08THK	1
4	102-0005	316 Stainless Steel Split Lock Washer	1
5	125-0109	DOWEL, WOOD, 1" X 8"	1
6	115-0001	GREASE	1
7	125-0111	Flat-Head Quick-Release Pins	1
8	101-0001	HEX HEAD 3/8-16 X 1" SS SCREW	1
9	102-0002	WASHER, LOCK, 3/8"	1
10	101-0002	HEX HEAD 3/8-16 X 1.25" SS SCREW, W/ LOCTITE PATCH	1
11	114-0027	MAGNET HOLDER	1
12	119-0017	MAGNET, .5"L X .25"	1
13	125-0045	Nylon-Insert Locknut	1
14	102-0001	WASHER, 3/8"ID X 1"OD X .07"	2
15	105-0005	SHAFT, ADAPTER, SHAFT REPLACEMENT, SS-N 216.5,	1
16	106-0005	HOLD ARM, MODIFIED, ARM9 45220, SHORESTATION NARROW	1
17	125-0099	RUBBER WASHER	2

Assembly Overview



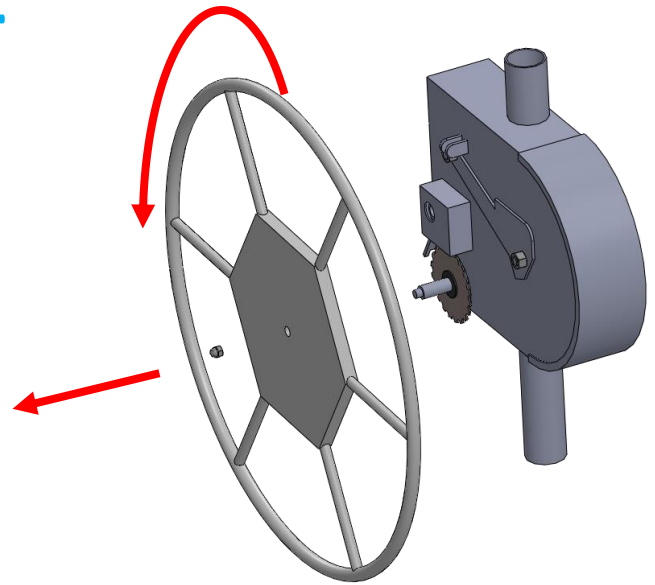
1 IMPORTANT



Fully lower the boat lift, remove the boat and any weight from the boat lift carriage. The cable should be slack. Ensure the lift carriage is fully down.

Failure to remove all weight before operating on the lift will lead to serious damage to the lift, boat, and may cause personal injury and or death.

2



Remove the nut, washer, or bolt holding the wheel on. Turn the wheel counter-clockwise to unthread the wheel from the winch shaft. NOTE: if the wheel is rusted to the shaft try holding the shaft to prevent the shaft from turning while you turn the wheel to break free.

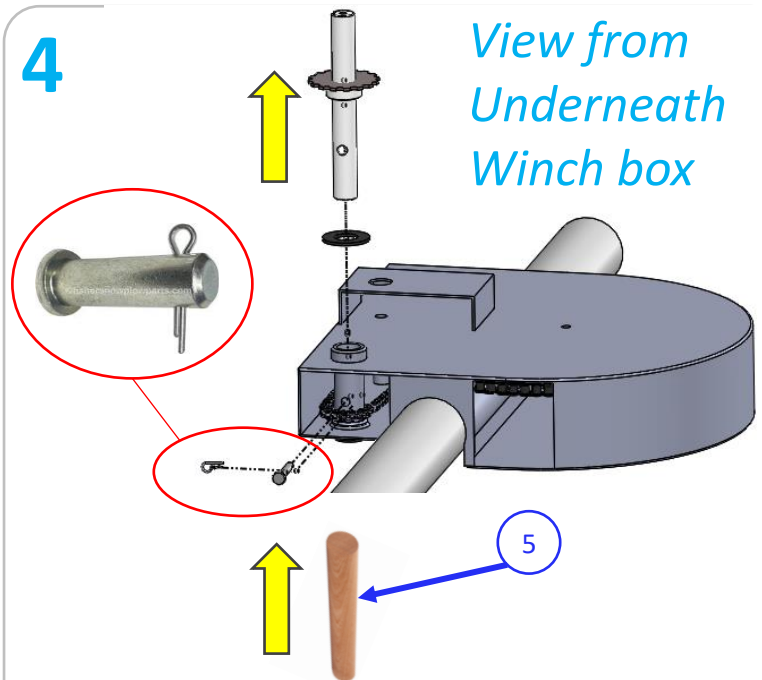
3



Remove the break dog and brake disc. These items will no longer be used.

Save these items with the wheel in case you need to replace them later or sell the boat lift and keep your motor for your new boat lift.

4

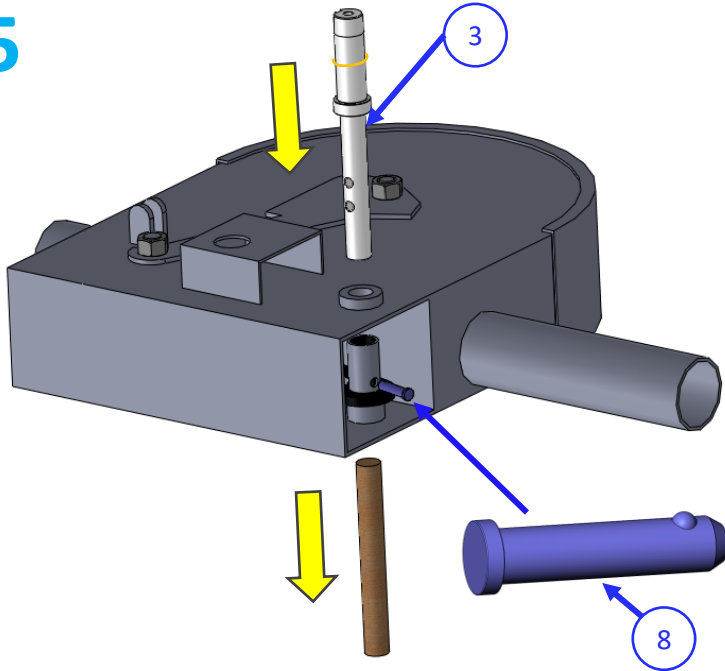


View from
Underneath
Winch box

1. Locate the sprocket from the underside of the winch and remove the cotter pin and the clevis pin .
2. IMPORTANT: Use the wooden dowel rod and push the shaft out from the other side: NOTE the wooden doll rod will hold the sprocket & chain in place and prevent it from dropping into the lake!

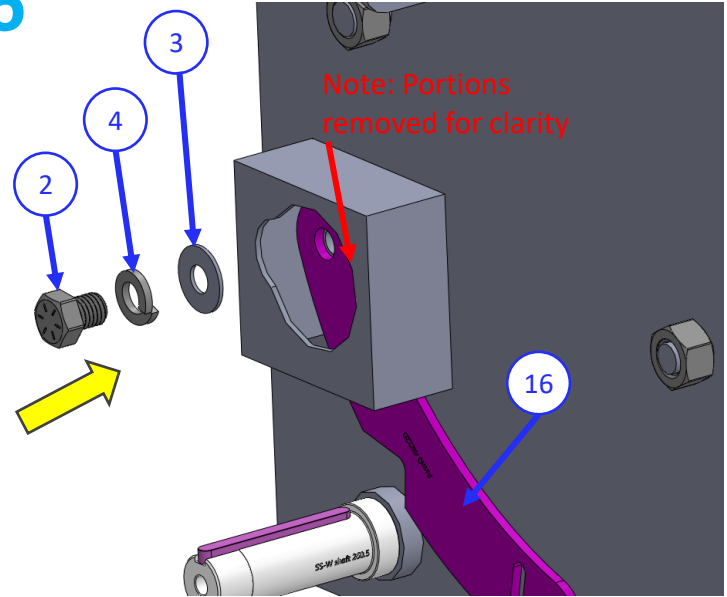
Installation: ShoreStation (Small)

5



1. Insert the new Lake Lifter replacement shaft and push out the wooden doll rod.
2. Insert the pin through the sprocket. **Ensure the pin is installed correctly and does not interfere with the chain.**

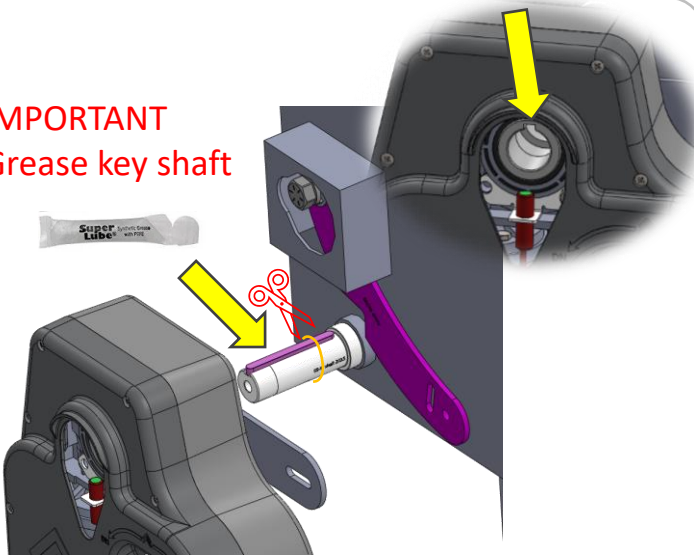
6



- Place the curved hold-arm bracket behind the protruding box area and use the $\frac{3}{4}$ " Bolt to secure in place. Note the larger slot will be mounted to the winchbox, the smaller slot will mounted to the motor.

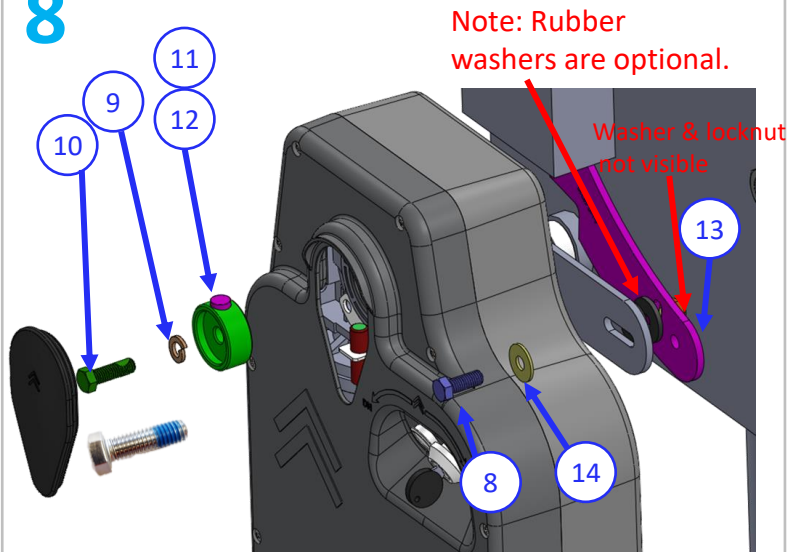
7

IMPORTANT
Grease key shaft



1. Grease key shaft & key before installing motor
2. Line motor keyway up with the shaft keyway and carefully slide the motor onto the shaft. Once engaged cut the rubber band retaining the key.

8



1. Install the black thick motor washer & holding bolt to secure the motor to the shaft. After tightening the back side of the motor should be tightly against the collar on the shaft. Include the rubber washers as shim if needed.
2. Make necessary adjustments to motor torque arm, curved hold arm positions then tighten securely.