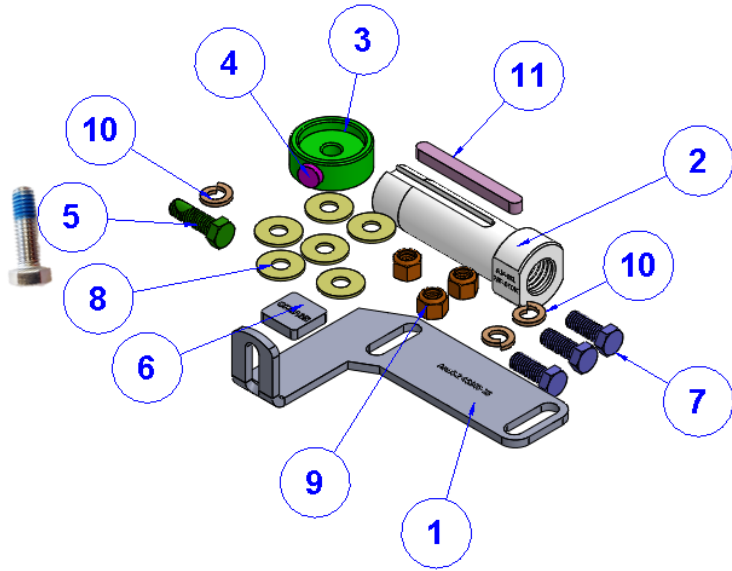


Dutton Lainson: CD3500, CD4000, CD4500, CD5500, CD7000

LAKE LIFTER: 100 Industrial Drive, Avilla IN 46710 Ph: 260-918-2758 Email: sales@lakelifter.com

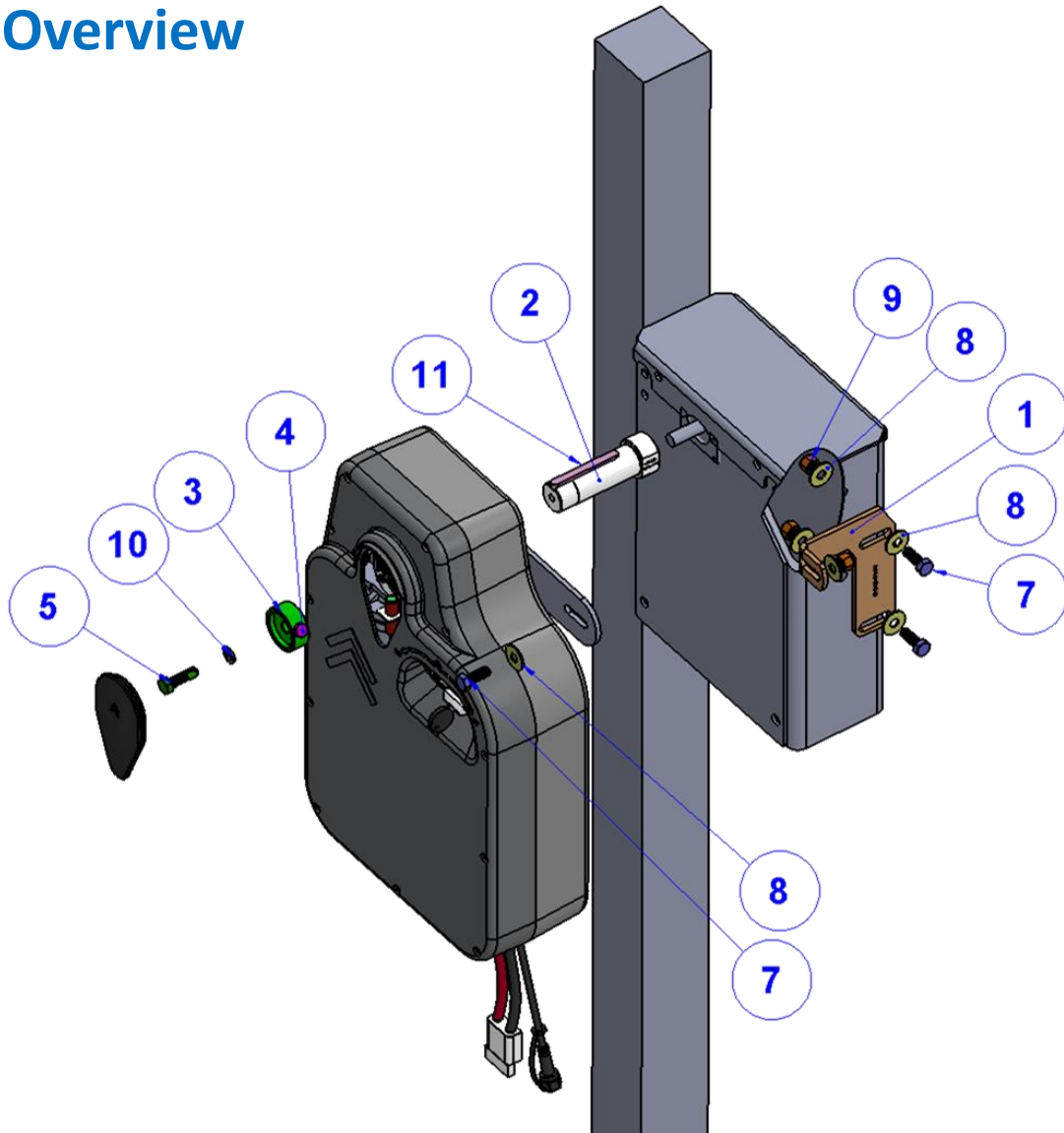


Kit Contents



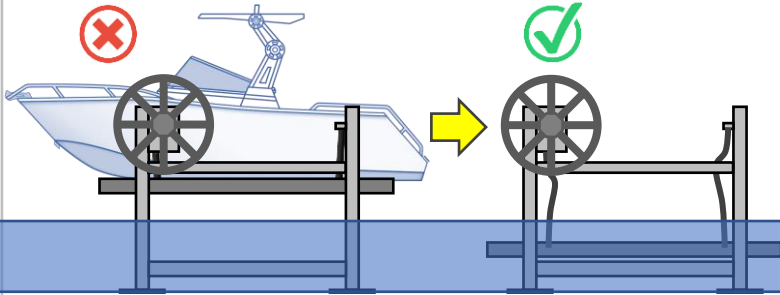
| ITEM NO. | PART NUMBER | DESCRIPTION | QTY. |
|----------|-------------|--|------|
| 1 | 135-0047 | HOLD ARM, ARM5.2 45145-25, FOR DUTTON LAINSON CD | 1 |
| 2 | 105-0006 | ADAPTER, DIRECT DRIVE, AD4-111 | 1 |
| 3 | 114-0027 | MAGNET HOLDER | 1 |
| 4 | 119-0017 | MAGNET, .5"L X .25" | 1 |
| 5 | 101-0002 | HEX HEAD 3/8-16 X 1.25" SS SCREW, W/ LOCTITE PATCH | 1 |
| 6 | 115-0001 | GREASE | 1 |
| 7 | 101-0001 | HEX HEAD 3/8-16 X 1" SS SCREW | 3 |
| 8 | 102-0001 | WASHER, 3/8"ID X 1"OD X .07" | 6 |
| 9 | 125-0045 | LOCK NUT, 3/8-16" | 3 |
| 10 | 102-0002 | WASHER, LOCK, 3/8" | 3 |
| 11 | 103-0001 | KEY, 8MM X 7MM X 75MM | 1 |

Assembly Overview



For questions, concerns, missing or damaged parts, DO NOT return to retailer: Please contact Lake Lifter Service Department.

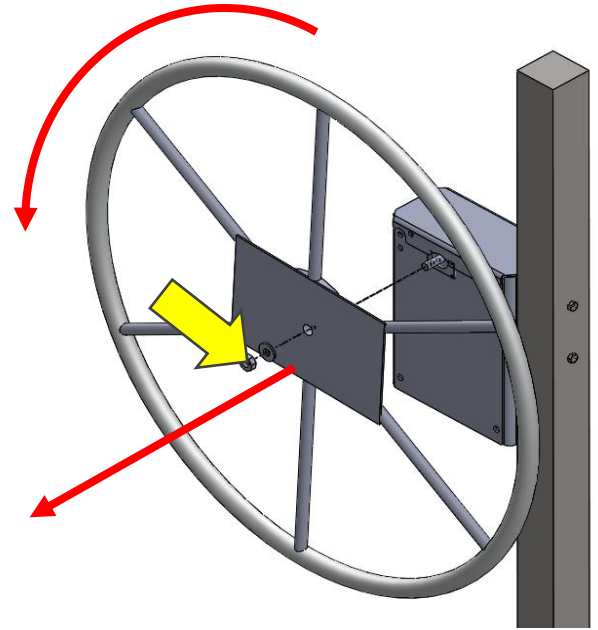
1 IMPORTANT



Fully lower the boat lift, remove the boat and any weight from the boat lift carriage. The cable should be slack. Ensure the lift carriage is fully down.

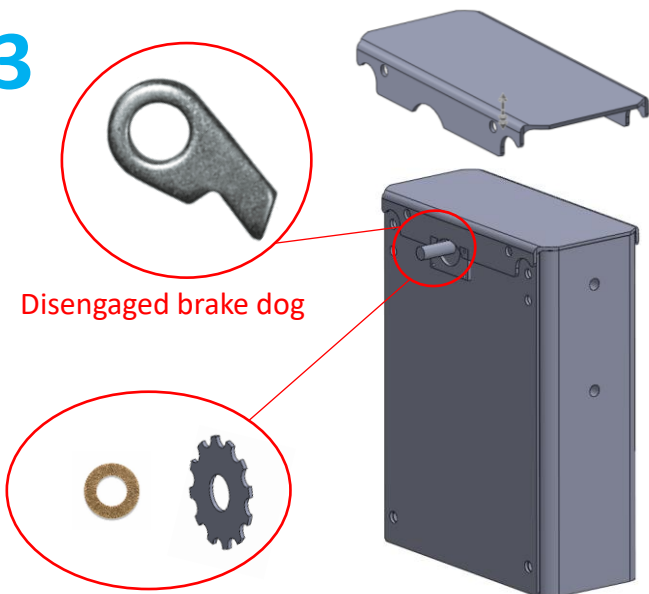
Failure to remove all weight before operating on the lift will lead to serious damage to the lift, boat, and may cause personal injury and or death.

2



Remove the nut, washer, or bolt holding the wheel on. Turn the wheel counter-clockwise to unthread the wheel from the winch shaft. NOTE: if the wheel is rusted to the shaft try holding the shaft to prevent the shaft from turning while you turn the wheel to break free.

3



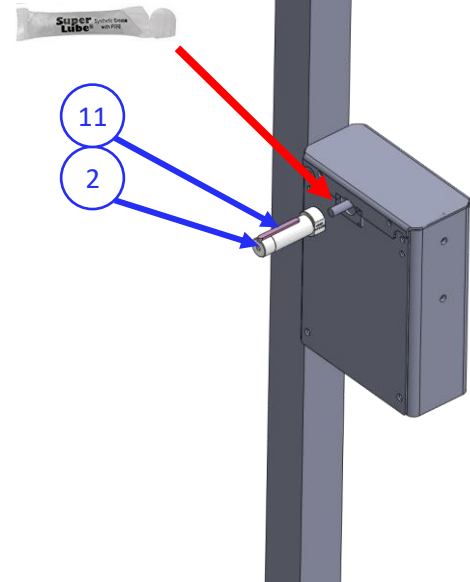
Disengaged brake dog

Remove the top cover, pull up on the brake dog and remove the brake disc and brass washer. Move the spring loaded brake dog so that it is not rubbing the shaft.

Save these items with the wheel incase you need to replace them later or sell the boat lift and keep your motor for your new boat lift.

4

IMPORTANT
Grease winch shaft



1. **IMPORTANT:** Grease the threaded winch shaft **BEFORE** installing the key adapter.
2. Thread the key adapter onto the winch shaft.

Dutton Lainson: CD3500, CD4000, CD4500, CD5500, CD7000

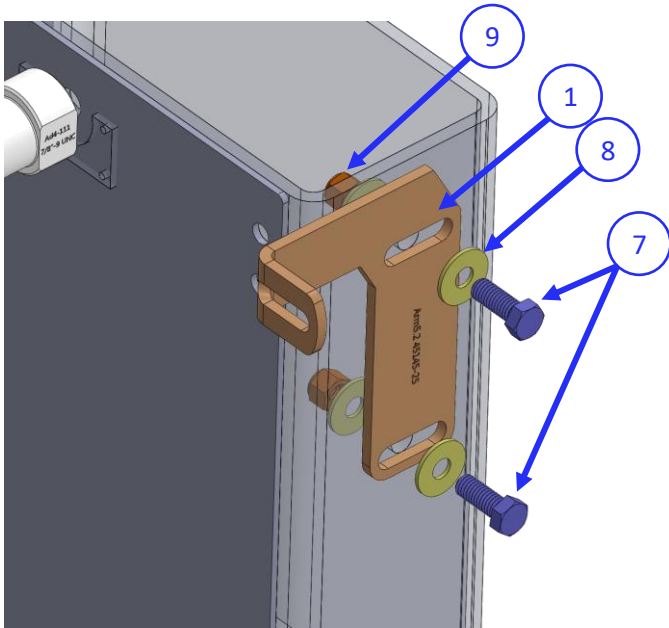
LAKE LIFTER: 100 Industrial Drive, Avilla IN 46710

Ph: 260-918-2758

Email: sales@lakelifter.com



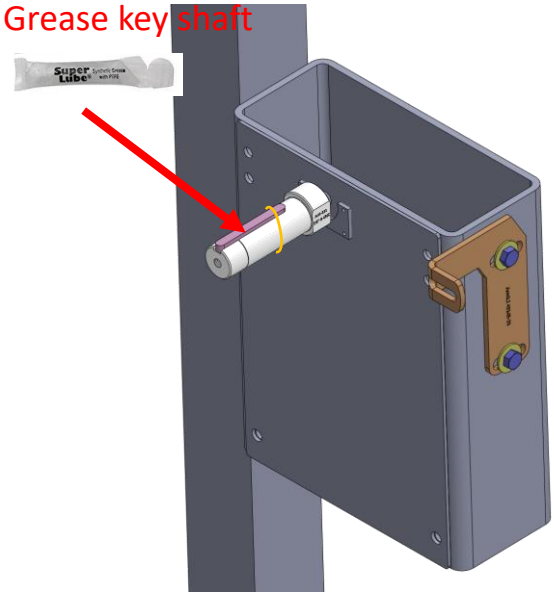
5



1. Attach the hold arm to the side of the winch as shown with provided bolts & nuts.
2. NOTE: keep bolts & nuts loose at this stage as adjustments may be needed in the next steps.

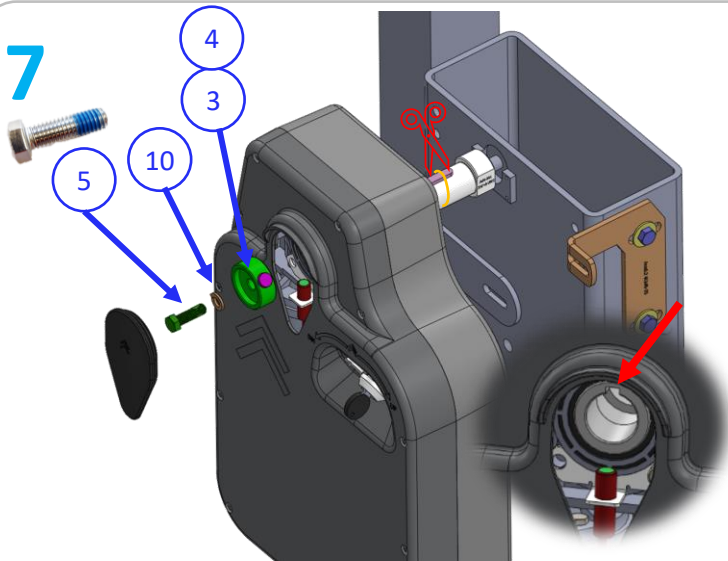
6

IMPORTANT
Grease key shaft



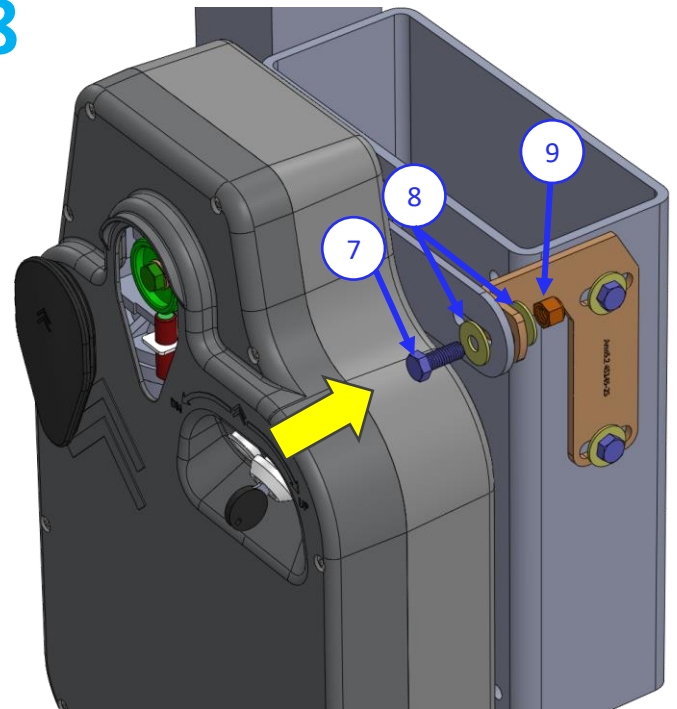
1. Grease key shaft & key before installing motor

7



1. Slide motor onto shaft. Once partially on cut the rubber band hold in the key.
2. Install the black thick motor washer & holding bolt to secure the motor to the shaft. After tightening the back side of the motor should be tightly against the collar on the shaft.
3. Make necessary adjustments to motor torque arm, curved hold arm positions then tighten securely.

8



Make necessary adjustments to motor torque arm and hold arm positions then tighten all bolts & nuts securely. Re-install rubber cover.