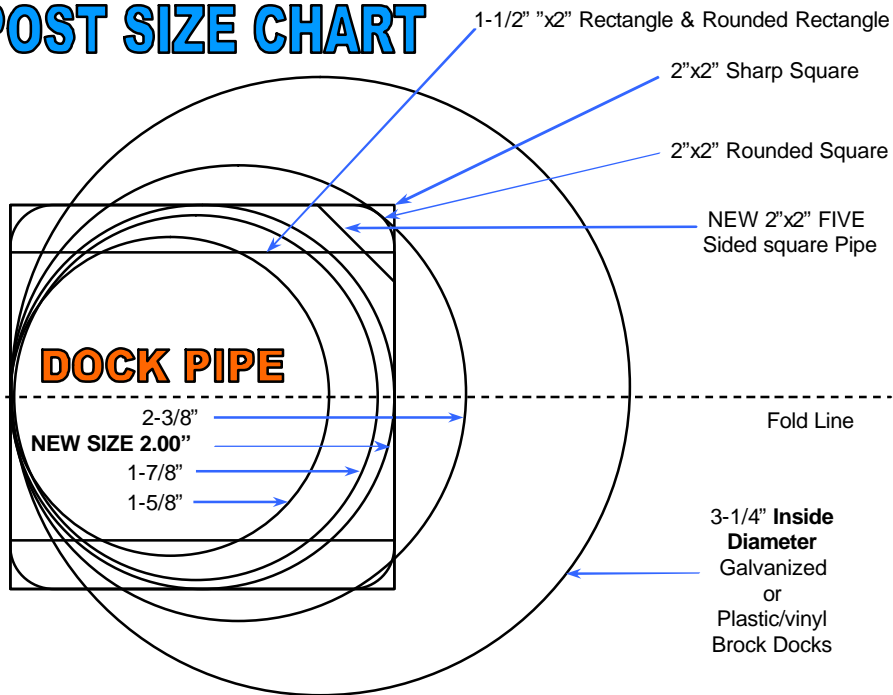


# POST SIZE CHART



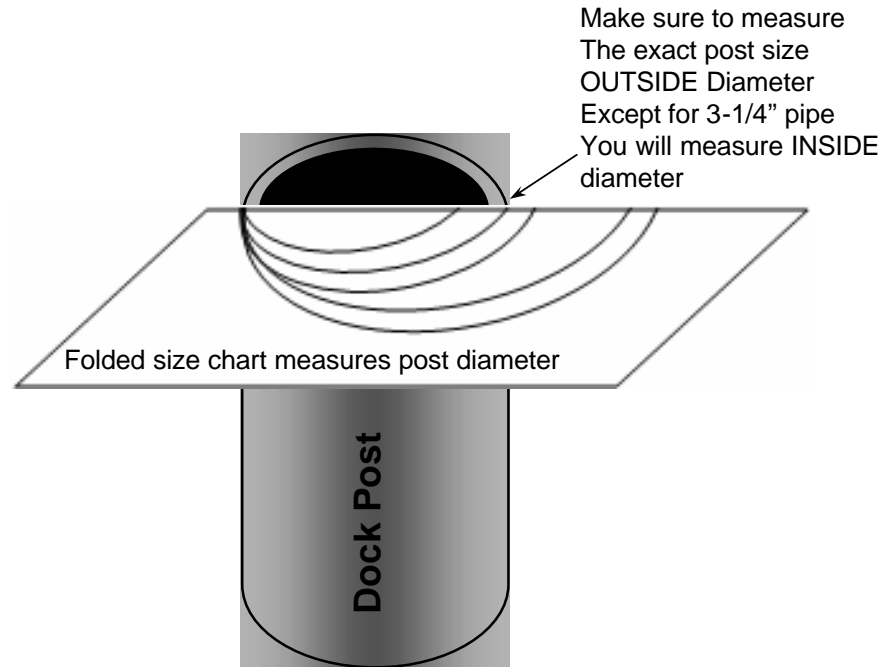
1. Simply fold on dotted line to match up the outside diameter of your dock post or the inside diameter of your large dock post.
2. Place the fold line directly across the center of your dock post. The chart circle will determine your dock post size.
3. Remember to specify if you have a **Lake Shore** dock when ordering as it requires a separate fitting.

**NOTE:** Remove any post caps before measuring.

**ATTENTION! NEWER 2.00" POST SIZE OWNERS.,** It has come to our attention that some Michigan and surrounding areas/states, dock companies have switched to a 2.00" outside diameter post which is slightly larger than the 1-7/8" post. You will need a separate fitting to accommodate this size change. We apologize for any inconveniences.

**Please call 260-918-2758 for your fitting.**

# EXAMPLE



**Please measure carefully & Exact !**

## Don't See Your Post Size?

Take an exact measurement of your dock post outside and or inside diameter and contact us. We will do our best to find a mounting option for you!

Ph: 260-918-2758  
Email: [sales@lakelite.com](mailto:sales@lakelite.com)

