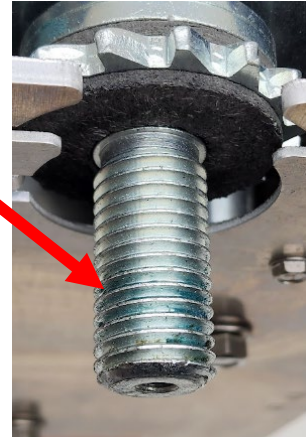


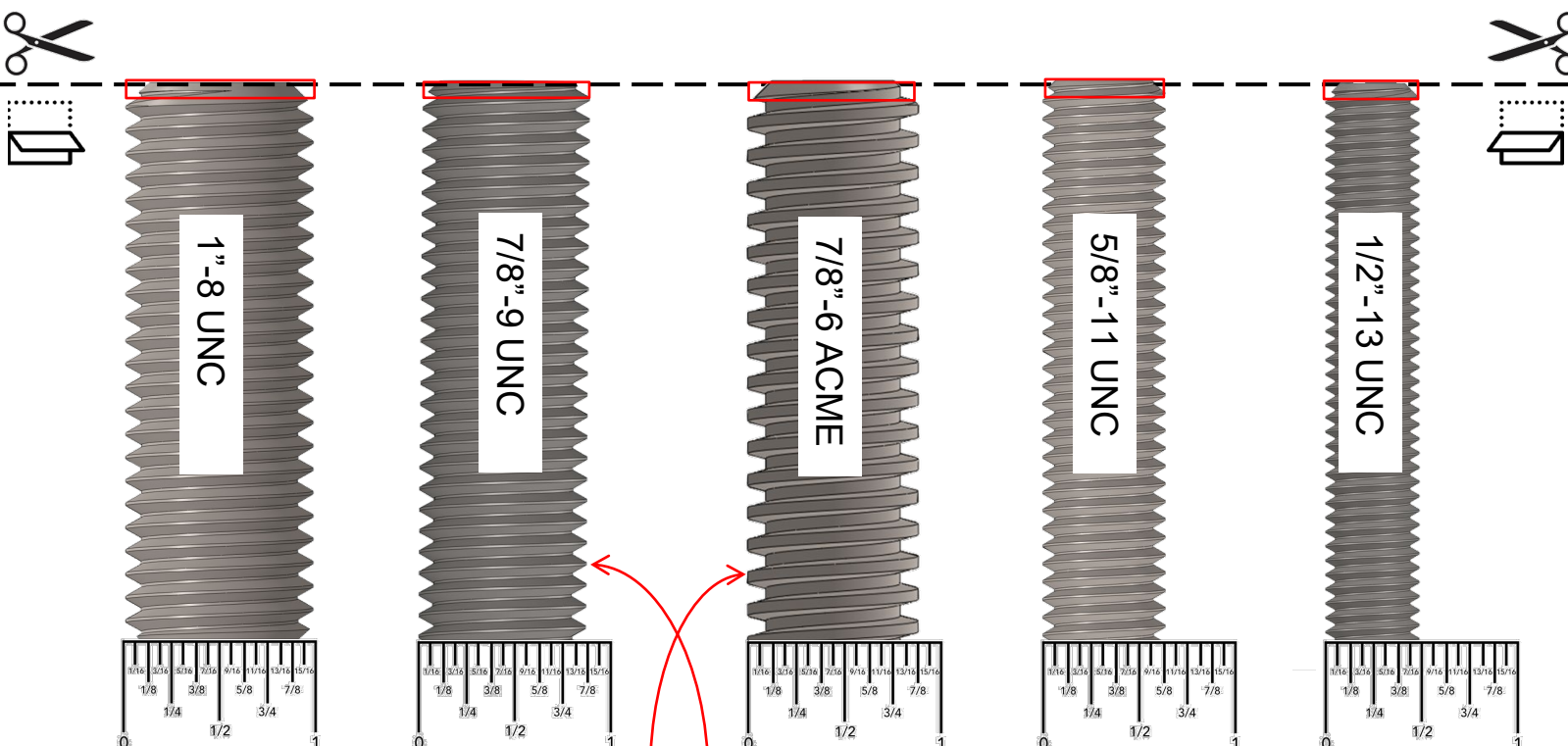
WINCH SHAFT – THREAD SIZING GUIDE

Nearly all winch boxes utilize a handful of common thread sizes for their shaft. If you are unsure about which install kit you have we recommend you print off this page and fold the paper to hold up next to your winch box shaft to determine the appropriate thread.

1. Before printing, remove all scaling or fit to paper options from print menu.
2. Measure the printed tape measure to verify scale
3. Cut or fold paper on dotted line
4. Measure the diameter of the thread using the red box
5. Measure the thread by lining up the illustration with your winch box



Note: ACME threads will appear to be flat while UNC threads will be peaked



Note: ACME threads will appear to be flat while UNC threads will be peaked

INSTALL KIT QUICK REFERENCE

LAKE LIFTER: 100 Industrial Drive, Avilla IN 46710 | Ph: 260-918-2758 | www.lakelifter.com | www.lakelite.com | Email: sales@lakelifter.com

LF-WK-MC 133-0111	7/8"-9 UNC	MOST BRANDS LORENZ SYTLE WINCHBOX EXTREME MAX 3.5K/4K/5K/7K WINCH BOXES RGC ≤ 3.5K AQUAMATIC BEACH KING CUSTOM PORTABLE DAKA DOCK RITE FEIGNER GREAT LAKES LAKESIDE METAL CRAFT MIDLANDER - OLD NEWMAN NORTHERN LIGHTS PIER PLEASURE RATI-O-MATIC RIDGELINE STARR JB LUND 2017+ LAKESHORE - NEW BLACK SPOOL MAX DOCK - LORENZ STYLE SHOREMASTER - OLD SM WINCH SHORE-MATE - OLD LORENZ WINCH VIBO - ENCLOSED ALUMINUM WINCH W.O.W HIGH & DRY LAKESHORE - VERY OLD - BLUE DRUM
LF-WK-SS-SM 133-0121	SHAFT	SHORESTATION: 2.6k 3K 3.6k 4k 4.5k - WINCH COVER BASE 4 - 1/2"
LF-WK-SS-LG 133-0120	SHAFT	SHORESTATION: 5k 6k - WINCH COVER BASE 5" ATLAS BOAT LIFTS
LF-WK-DL-A 133-0104		DUTTON LAINSON MODELS: 1200A 1500A 2500A SHELBY MODELS: 5532 5401 5331 SHORESTATION PWC 1062
LF-WK-DL-B 133-0105	7/8"-9 UNC	DUTTON LAINSON MODELS: B1200 B1500 B2500 B3500 BERTRAND DOCKS (2000/3000/3400) - 2019 & OLDER EASTERN TOWNSHIP/QUAIS (OPEN SPOOL 2000/3000/3400) FLOE SHOREMASTER & SHOREMATE - OLDEST OPEN SPOOL WINCH
LF-WK-CD 133-0102	7/8"-9 UNC	DUTTON LAINSON: CD3500 CD4000 CD4500 CD5500 CD7000 BERTRAND DOCKS - 2019 & OLDER (4500/5500) EASTERN TOWNSHIP/QUAIS (4500/5500) JB LUND (OLD - PRE 2017) MAX DOCK - DL CD4000/4500/5500/6000/7000
LF-WK-CD-B 133-0103	7/8"-6 ACME	BERTRAND 2019 OR NEWER W/ DIFFERENT ADAPTOR *DUTTON LAINSON: CD3500 CD4000 CD4500 CD5500 CD7000 *BERTRAND DOCKS - 2019 & NEWER (4500/5500) *EASTERN TOWNSHIP/QUAIS (4500/5500)
LF-WK-HM 133-0108	7-8"-6 ACME	HARBOR MASTER
LF-WK-HM-SHAFT 133-0109	SHAFT	HARBOR MASTER REPLACEMENT SHAFT
LF-WK-NU 133-0112	1"-8 UNC	NUCRAFT CRAFTLANDER
LF-WK-NU-SHAFT 133-0113	SHAFT	NUCRAFT REPLACEMENT SHAFT
LF-WK-PD 133-0114	7-8"-6 ACME	PORTA DOCK SHOREMATE-NEW SUMMIT-NEW MIDLANDER-NEW TRIMET WINCHBOX
LF-WK-PD-SHAFT 133-0115	SHAFT	PORTA DOCK SHOREMATE-NEW SUMMIT-NEW MIDLANDER-NEW TRIMET REPLACEMENT SHAFT
LF-WK-HW 133-0110	7/8"-9 UNC	HEWITT
LF-WK-FUL 133-0107	½"-13 UNC	FULTON
LF-WK-RGC 133-0116	7/8"-6 ACME	RGC RGC LVG - R18LT/R18HD - (4K & LARGER)
LF-WK-SLV 133-0118	7/8"-9 UNC	SHORELINE VERTICAL: 3009SL 4010SL
LF-WK-SM 133-0119	7/8"-9 UNC	NEW SHOREMASTER WHISPER WINCHES: 141 241 2.0
LF-WK-SU 133-0122	7/8"-6 ACME	SUMMIT - OLD LAKESHORE - VERY OLD - RED DRUM INSIDE SPOOL

Lorenz Style Winch Box

- (Most Common)



Shaft Thread	Install Kit	Part #
7/8"-9 UNC	LF-WK-MC	133-0111

- **MOST BRANDS**
- **LORENZ STYLE**
- RGC (3k & Smaller)
- AQUAMATIC
- BEACHKING
- CUSTOM PORTABLE
- DAKA
- DOCK RITE
- FEIGHNER
- GREAT LAKES
- LAKESIDE
- METAL CRAFT
- MIDLANDER
- NEWMAN
- NORTHERN LIGHTS
- EXTREME MAX WINCHES
3.5k | 4k | 5k | 7k
- PIER PLEASURE
- RATIO-O-MATIC
- RIDGELINE
- STARR
- JB LUND 2017+
- MAX DOCKS – OLDER
- SHOREMASTER – OLD
- SHOREMATE – OLD LORENZ
VIBO – ENCLOSED WINCH BOX
- W.O.W.
- HIGH & DRY
- LAKESHORE (LSP) – **NEWER BLACK SPOOL DRUM**
- LAKESHORE (LSP) – VERY OLD, **BLUE SPOOL DRUM**

Lorenz Style Winch Box

- Summit Lifts – (OLD)



Shaft Thread	Install Kit	Part #
7/8"-6 ACME	LF-WK-SU	133-0122

NOTE: : Older Summit boat lifts feature a Lorenz Style winchbox however their shaft thread is 7/8"-6 ACME thread instead.



Lake Shore Products (LSP)

*** VERY OLD! Check Drum!**

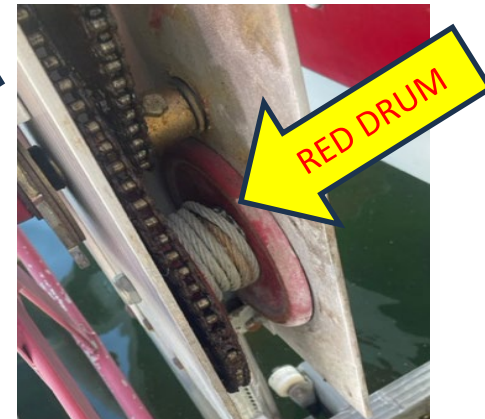
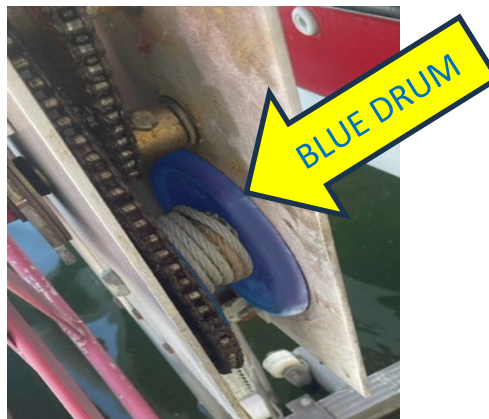


Ribbed Box

DRUM COLOR	Shaft Thread	Install Kit	Part #
RED DRUM * VERY OLD	7/8"-6 ACME	LF-WK-SU	133-0122
BLUE DRUM	7/8"-9 UNC	LF-WK-MC	133-0111
BLACK DRUM	7/8"-9 UNC	LF-WK-MC	133-0111

NOTE: VERY OLD Lake Shore Product "LSP" cantilever pontoon lifts may feature a RED SPOOL DRUM. Note if your unit features a RED SPOOL drum you must purchase this RED DRUM KIT.

Very OLD Lake Shore Products "LSP" cantilever pontoon lifts with a BLUE spool drum or Newer "LSP" lifts with a BL



HEWITT Winch Box



Shaft Thread	Install Kit	Part #
7/8"-9 UNC	LF-WK-HW	133-0110

COMMON WINCH MODELS (May Vary)

- HEWITT 1501 | 2001 | 2501

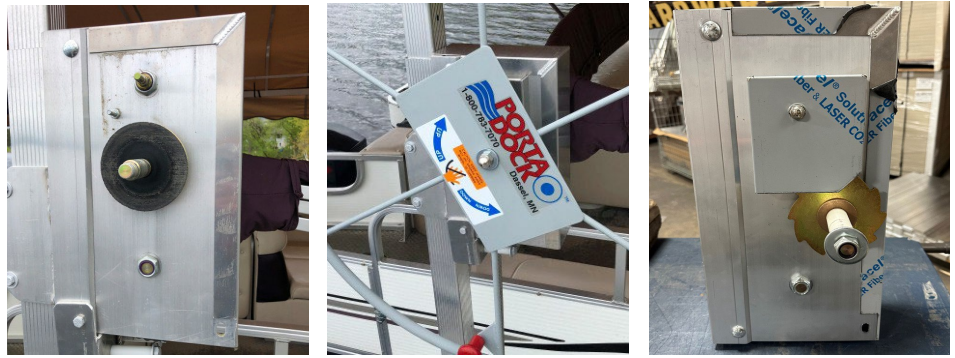


Porta Dock – (All)
Shore Mate – (Newer)
Summit – (Newer)
MidLander – (Newer)
TriMet Industries Winch Box



Shaft Thread	Install Kit	Part #	TYPE
7/8" -6 ACME	LF-WK-PD	133-0114	Adapter
7/8" -6 ACME	LF-WK-PD-SHAFT	133-0115	Shaft Replacement

OPTIONS: We have TWO style install kits. Our Adapter style simply screws onto the existing winch shaft. Occasionally there is a slight wobble affect due to thread tolerances and old winch shafts. This is normal and cause no harm to the motor or winch. Our shaft-replacement kit replaces the winch shaft and eliminates any wobble affect however it does require a few extra minutes of install time.



NuCraft
Craftlander
Lakeside Lift Corp



Shaft Thread	Install Kit	Part #	TYPE
1" -8 UNC	LF-WK-NU	133-0112	Adapter
1" -8 UNC	LF-WK-NU-SHAFT	133-0113	Shaft Replacement

OPTIONS: There are two distinct styles of NuCraft/Craftlander installation kits. Firstly, we offer our standard "ADAPTER" style kit, which simply screws directly onto your winch box shaft. Occasionally, due to minor thread inconsistencies, a slight motor "wobble" effect may occur, but rest assured, it poses NO harm to the motor or winch box. Alternatively, we offer the "SHAFT REPLACEMENT" style kit, which requires an additional 5-10 minutes of installation work. The SHAFT REPLACEMENT option completely eliminates any motor wobble for ultimate performance.



Dutton Lainson B Winches

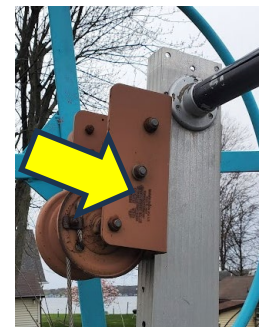


Shaft Thread	Install Kit	Part #
7/8"-9 UNC	LF-WK-DL-B	133-0105

DUTTON LAINSON B COMMON WINCH MODELS (May Vary)

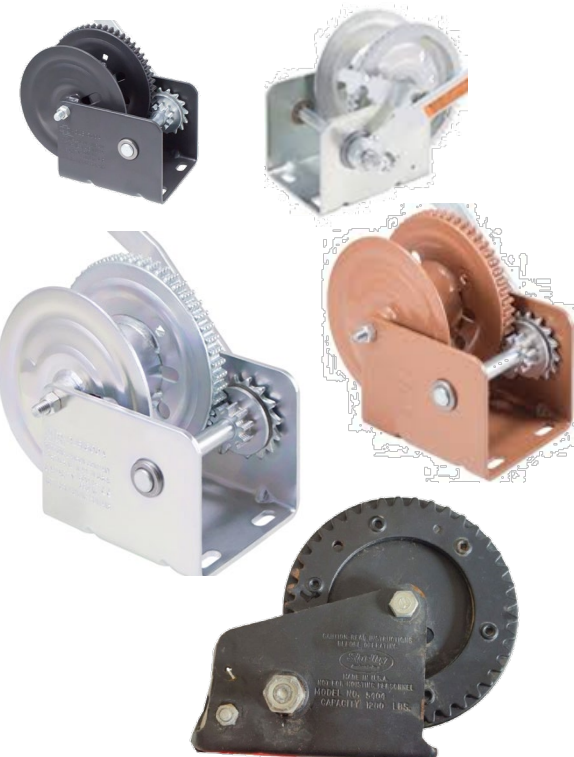
- B1200 | B1500 | B2500 | B3500

IMPORTANT: Check the model number stamped on the side of the winch. Ensure that the model number has a "B" at the beginning or the END. The "B" stands for Brake winch. NOTE the "A" model requires a different kit.



Dutton Lainson A Winches

Shelby Winches



Shaft Thread	Install Kit	Part #
5/8"-11	LF-WK-DL-A	133-0104

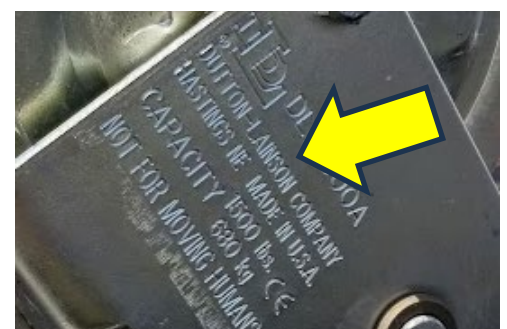
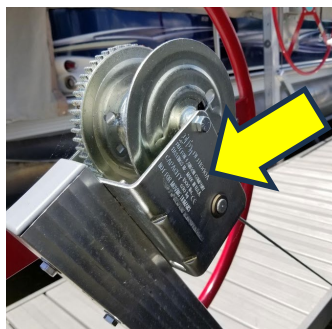
DUTTON LAINSON A COMMON WINCH MODELS (May Vary)

- 1200A | 1500A | 2500A

SHELBY COMMON WINCH MODELS (May Vary)

- 5352 | 5401 | 5404 | 5331

IMPORTANT: Check the model number stamped on the side of the winch. Ensure that the model number has an "A" at the beginning or the END. NOTE the "B" model requires a different kit.



FULTON Winches

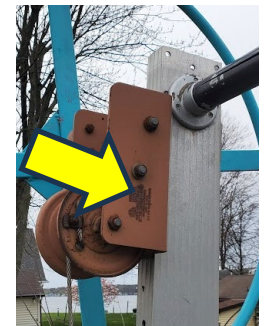
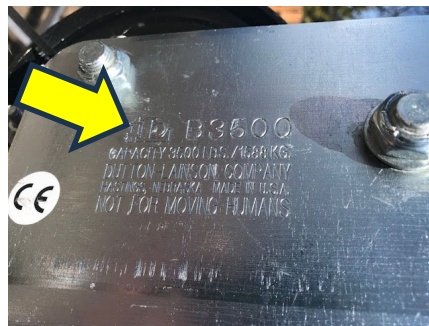


Shaft Thread	Install Kit	Part #
½"-13 UNC	LF-WK-FUL	133-0107

FULTON COMMON WINCH MODELS (May Vary)

- 5352 | 5401 | 5404 | 5331

! IMPORTANT: Fulton winches have a VERY SMALL ½"-13 threaded shaft. The ½" diameter shaft is very small and weak when driven by a powerful direct drive motor. These shafts have been known to sometimes break at higher loads. If your Fulton Series winch breaks, then we recommend replacing it with a similar style Dutton Lainson A or B style winch.



Harbor Master Winch FENDOCK Winch

Shaft Thread	Install Kit	Part #	TYPE
7/8"-6 ACME	LF-WK-HM	133-0108	Adapter
7/8"-6 ACME	LF-WK-HM-SHAFT	133-0109	Shaft Replacement

OPTIONS: There are two distinct styles of Harbor Master installation kits. Firstly, we offer our standard "ADAPTER" style kit, which simply screws directly onto your winch box shaft. Occasionally, due to minor thread inconsistencies, a slight motor "wobble" effect may occur, but rest assured, it poses NO harm to the motor or winch box. Alternatively, we offer the "SHAFT REPLACEMENT" style kit, which requires an additional 5 minutes of installation work. The SHAFT REPLACEMENT option eliminates any motor wobble for ultimate performance.



Dutton Lainson *Chain Drive Winches



Shaft Thread	Install Kit	Part #	Typically
7/8"-9 UNC	LF-WK-CD	133-0102	USA + CA  
7/8"-6 ACME	LF-WK-CD-B	133-0103	CANADA 

COMMON WINCH MODELS (May Vary)

- CD3500 | CD4000 | CD4500 | CD5500 | CD6000 | CD7000



USA - Brand Boat Lifts have 7/8"-9 UNC thread Shaft



CANADA - Eastern Township Docks / Quais Betrand boat lifts:

- 2019 & newer typically have a 7/8"-6 ACME thread shaft.
- 2018 & older typically have a 7/8"-9 UNC thread shaft



CANADA customers please check thread before ordering.

ALL USA BRANDS + OLDER CANADA BRANDS



7/8"
Thread Width

7/8"-9 UNC



9-Threads / Inch

NOTE:
sharp
thread
crest

**9-threads
per linear
inch**

CANADA / 2019 & NEWER PLEASE CHECK



7/8"
Thread Width

7/8"-6 ACME



6-Threads / Inch

NOTE:
FLAT
thread
crest

**6-threads
per linear
inch**

Shore Station Winches

Atlas Winches

Shaft Thread	Install Kit	Part #	TYPE
Not Applicable	LF-WK-SS-SM	133-0121	Shaft Replacement
Not Applicable	LF-WK-SS-LG	133-0120	Shaft Replacement

COMMON WINCH & LIFT MODELS (May Vary) - SMALL SIZE

- 2000 | 2600 | 3000 | 3600 | 4000 | 4500

⚠ IMPORTANT: Small models feature a single chain & Low gear ratio. We recommend pairing with our High Torque motor

COMMON WINCH MODELS (May Vary) - LARGE SIZE

- 5000 | 6000 | 7000

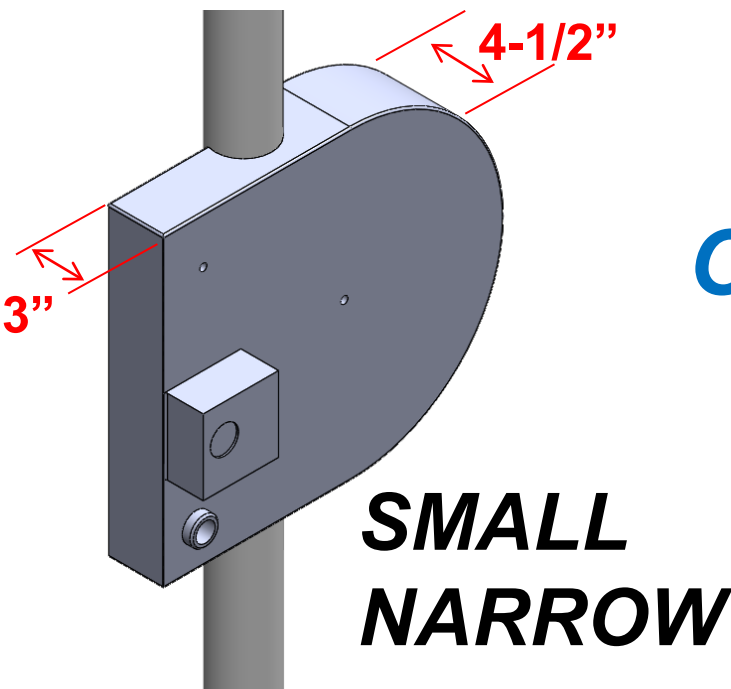


ShoreStation SMALL

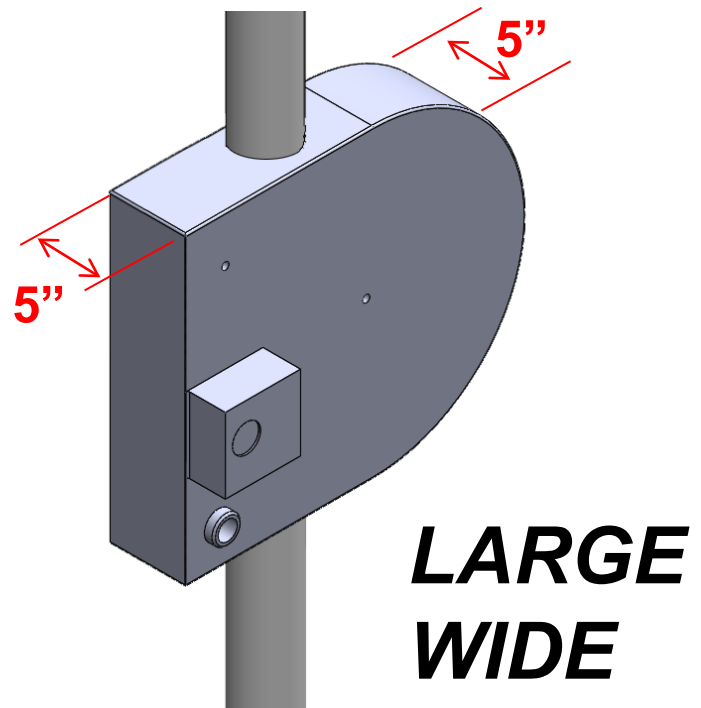
2.6k | 3k | 3.6k | 4k | 4.5k
(Winch Cover Base of 4-1/2")

ShoreStation LARGE: 5k | 6k

ATLAS Boat Lifts: 5K
(Winch Cover Base of 5")



OR



The rear side of the winch is thinner than the front side of the winch.

The rear side of the winch is the SAME width as the front side of the winch.

Shore Stations w/ **Single Chain**

SINGLE CHAIN MODELS - SMALL SIZE Style Winch Boxes

- Lifts size (lbs) 2000 | 2600 | 3000 | 3600
- Lift Models: 20108 | 26108 | 30108 | 30120 | 36108 | 36120 |

2000-3600 lbs Single Chain Lifts Notice:

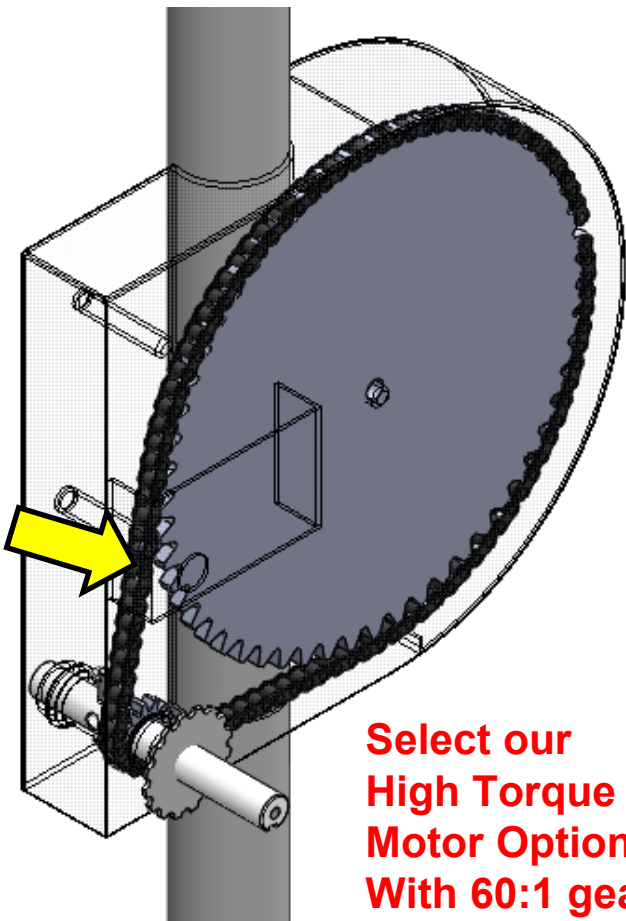
These lifts pose a challenge due to their low gear ratio, making cranking difficult. Wheel to wheel style friction motors may fail or burn out easily. Our Direct drive motors can handle them, be cautious as the 3,600 lbs winch is sometimes sold as a 4,000 lbs lift or equipped with a 3,600 lbs winch box on a 4,000 lbs lift, making lifting extremely difficult. In such cases, using our AC 120v motor may trip your 15A house breaker, or the DC 12/24v motors may blow the 80A fuse breaker.

For Single chain ShoreStation winches, we recommend our High Torque (HT) model motors with increased gear ratio to reduce amp draw, enhance torque output, and extend the life span of the Lake Lifter motor, minimizing the risk of tripping fuse breakers. Our standard direct drive motors have a 40:1 gearbox, while High Torque Direct drive motors feature a 60:1 gearbox. Although the HT 60:1 has a slower output speed, the net result is similar or faster than the 40:1 on these lifts, as the 60:1 HT model is less bogged down.



Shore Station (Single Chain)

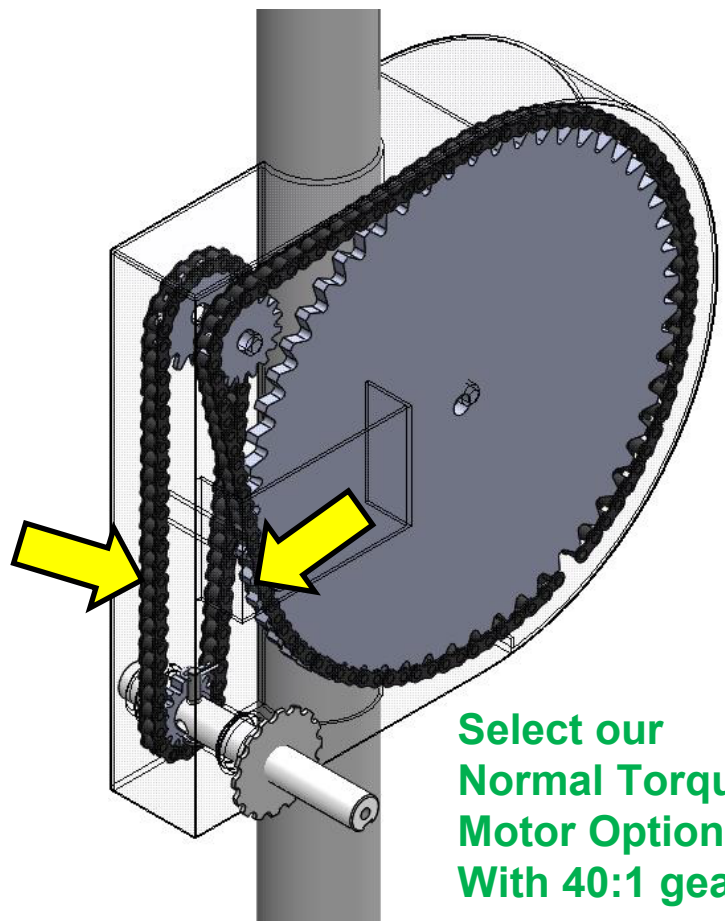
2600 lbs | 3000 lbs | 3600 lbs



Select our **High Torque Motor Option With 60:1 gear**

Shore Station (Dual Chain)

4000 lbs | 4500 lbs | 5000 lbs | 6000 lbs



Select our **Normal Torque Motor Option With 40:1 gear**

Shore Master

- Whisper Winch
- Whisper Winch 2.0

Shaft Thread	Install Kit	Part #
7/8"-9 UNC	LF-WK-SM	133--0119

COMMON WINCH MODELS (May Vary)

- Whisper Winch 141
- Whisper Winch 241
- Whisper Winch 2.0



Shore Master (*OLD)

Shaft Thread	Install Kit	Part #
7/8"-9 UNC	LF-WK-MC	133-0111

NOTE: Older ShoreMasters typically 2010 and older are nearly identical to the LORENZ / MOST COMMON style winch box however they feature cable rollers near the bottom of the winch. These model winches use the SAME install kit as the Lorenz / Most Common winch



RGC – (Smaller Lifts) (Lorenz Winch Box)

Shaft Thread	Install Kit	Part #
7/8" -9 UNC	LF-WK-MC	133-0111

NOTE: Smaller sized RGC lifts, typically less than 4500 lbs in capacity use a Lorenz winch box. Please check your winch box!



RGC - (Larger Lifts)

Shaft Thread	Install Kit	Part #
7/8" -6 ACME	LF-WK-RGC	7/8-6" ACME

COMMON WINCH MODELS (May Vary)

- RL18

NOTE: Larger sized RGC lifts, typically 5000 lbs and higher use a RGC brand winch box as shown below. Please check your winch box!



HEWITT – (Hefty Hoist)

***PLEASE CALL**

PLEASE CALL: Hewitt Hefty Hoist utilize a belt & pulley style winch referred to as a “Flat Plate / Gear Plate / Belt & Pulley Plate, etc”.

Lake Lifter offers a different style DC motor system for this type of lift. There are several options to consider when converting this style winch to DC-Solar or replacing this style winch. We recommend you contact one of our experts to discuss the various options.

