

# Solar Pocket Dock Lites

MODEL: LL-SDL-EZ-v2



## SOLAR POCKET DOCK LITES for EZ-Dock

A great way to light up your dock and fill those empty pockets! Make your dock beautiful and safe to walk on while protecting it from evening boaters. The Solar Dock Lite – For EZ Docks, provides ambient top emitting pathway lighting while emitting safety lighting from the side.

Durable construction polycarbonate material will withstand light traffic and walking. The powerful solar panel charges the battery during the day and the light automatically turns on at night. Make your dock stand out from the rest!

**U.S. Pat. No. 7,425,088**

EZ DOCK is a registered trademark of E-Z Dock, Inc. Lake Lite, Inc. and this product are not sponsored by, endorsed by, or affiliated with E-Z Dock, Inc. in any way."

### LIGHT CHARACTERISTICS

Light Source	1 Ultra-High intensity LED
Lumens Output	12 *Varies with color
Available LED Colors	White, Amber, Red or Blue
Light Mode Options (user switchable)	Constant
Visible Range Constant Light Mode	0.2 – 0.25 nm
Horizontal Output (degrees)	180°
Vertical Divergence (degrees)	270°
LED Life Expectancy (hours)	> 100,000 hrs

### ELECTRICAL CHARACTERISTICS

Circuit Protection	Integrated
Nominal Voltage (v)	3.2v
Autonomy (hours)	14-20 hrs
Temperature Range	14-176° Fahrenheit

### SOLAR CHARACTERISTICS

Solar Module Type	Multicrystalline
Power (watts)	0.45 watts
Solar Module Efficiency (%)	14-16%

### POWER SUPPLY

Battery Type	High Grade
Battery Size	LiFePO4
Battery Capacity (mAh)	400 mAh (Depending on model)
Nominal Voltage (v)	3.2v
Battery Service Life	2-4 years (Varies with local Environment)
Battery Service Access	Yes: User Changeable / Replaceable

### PHYSICAL CHARACTERISTICS

Body Material	UV Stabilized Poly Carbonate
Lens Material	UV Stabilized Poly Carbonate
External Lens Design	Translucent
Internal Lens design	NA
Waterproof Rating	IP 68
Mounting	Spring Tabs – Pressure Fit
Height	3-1/4"
Width / Diameter	6-1/2" / 4"
Weight	1.4 lbs

### NOTE:

\* Information subject to change without notice



Lake Lite Inc.  
100 Industrial Dr.  
Avilla, IN 46710

Phone: 260-918-2758  
E-mail: sales@lakelite.com  
Web: www.lakelite.com

# Solar Pocket Dock Lites

MODEL: LL-SDL-EZ-v2



**ADVANCED TECHNOLOGY = BRIGHT LONG-LASTING LIGHT THAT MEET EXPECTATIONS**

NEW! Fully Sealed IP 68 Waterproof Electronics

Fully encapsulated PET solar panel for increased efficiency

Automatic night activation

External Fresnel Lens

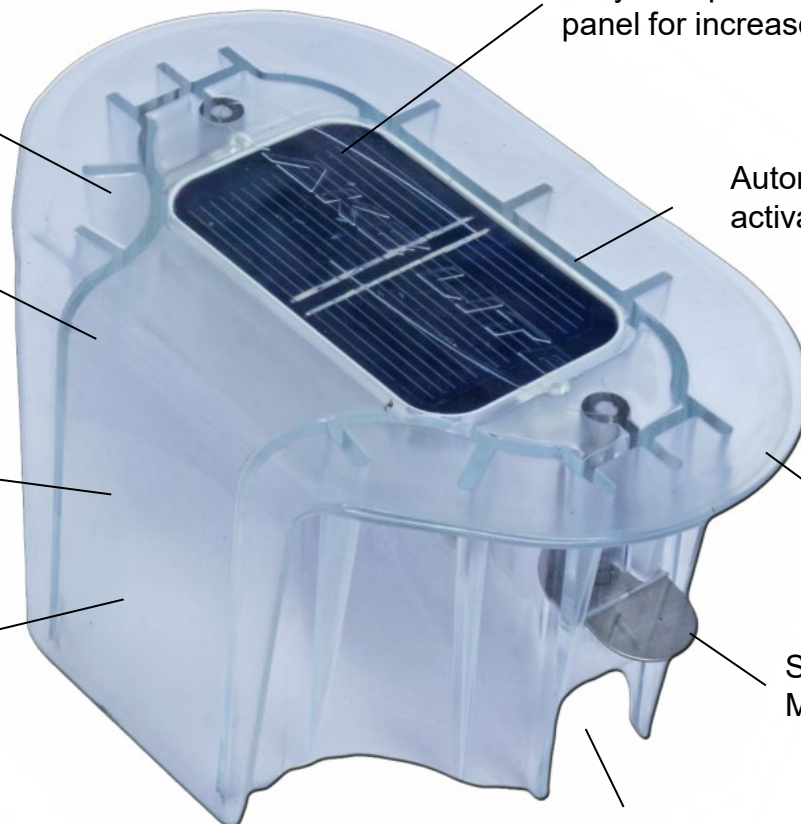
Internal Lenticular lens

UV stabilized polycarbonate

Super High Intensity LED

Stainless Steel Mounting Tabs

Internal user changeable LiFePo4 Battery



**U.S. Pat. No. 7,425,088**

*EZ DOCK is a registered trademark of E-Z Dock, Inc. Lake Lite, Inc. and this product are not sponsored by, endorsed by, or affiliated with E-Z Dock, Inc. in any way."*



Lake Lite Inc.  
100 Industrial Dr.  
Avilla, IN 46710

Phone: 260-918-2758  
E-mail: sales@lakelite.com  
Web: www.lakelite.com

# Solar Pocket Dock Lites

MODEL: LL-SDL-EZ-v2



**This product uses a LiFePo4 type battery:**

**Volts: 3.2v Size: 14430 Capacity: 400mA**

**DO NOT USE: standard 1.2v NiMH or NiCd type Rechargeable batteries, or they will be damaged!**

**NOTE: BATTERY MUST BE INSTALLED & CONNECTED TO FUNCTION**

## Assembling your light

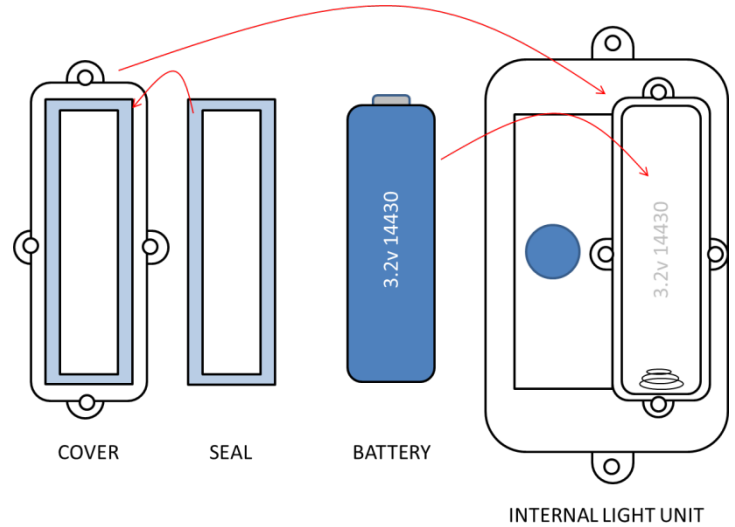
1. Install battery in correct position.
2. Confirm that the silicone seal is installed in the cover for sealing.
3. Install cover with 4-provided screws.

**NOTE:** Screw the cover down to apply pressure on the seal. This will ensure the battery compartment is fully waterproof.

**NOTE:** Light is activated by darkness.

(battery must be charged to light

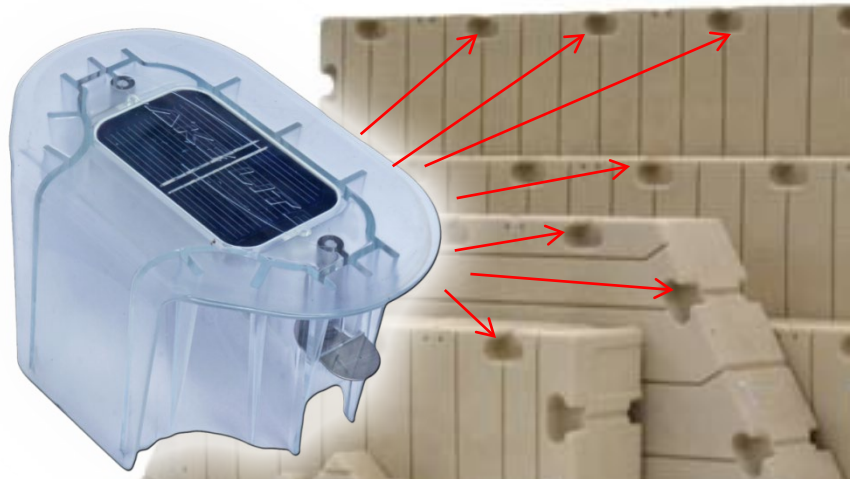
**NOTE:** Product uses 3.2v LiFePo4 Battery Size: 14400



## Installing your light into the EZ-Dock Pockets

1. Place the light in the pocket.
2. Firmly press the light until the top is flat with the dock surface.
3. Check that the spring tabs are gripping the dock and holding the light correctly.

**NOTE:** To remove, pull light upward with moderate force. If light will not remove, use screwdriver to wedge the spring tabs loose from the side walls inside the pocket.



### NOTE:

1. LED Light inside is activated by darkness, Unit must be in a dark area before light will activate. Place in dark room to test unit.
2. Battery must be charged in order for the LED Light to turn on. Make sure battery is connected inside and then place in sunlight to charge.



**CAUTION: BATTERY MUST BE RECYCLED OR DISPOSED OF PROPERLY.**



Lake Lite Inc.  
100 Industrial Dr.  
Avilla, IN 46710

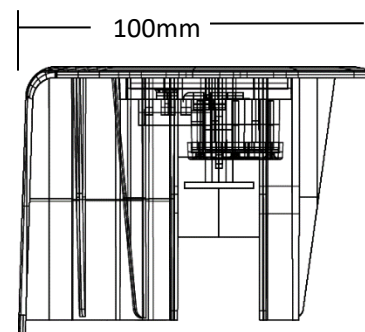
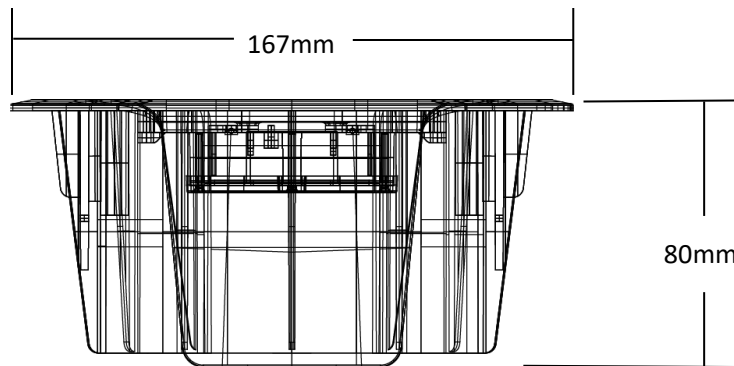
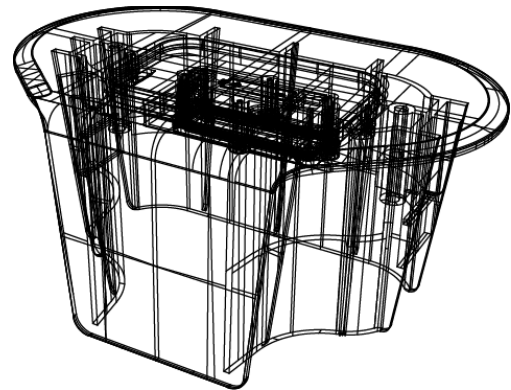
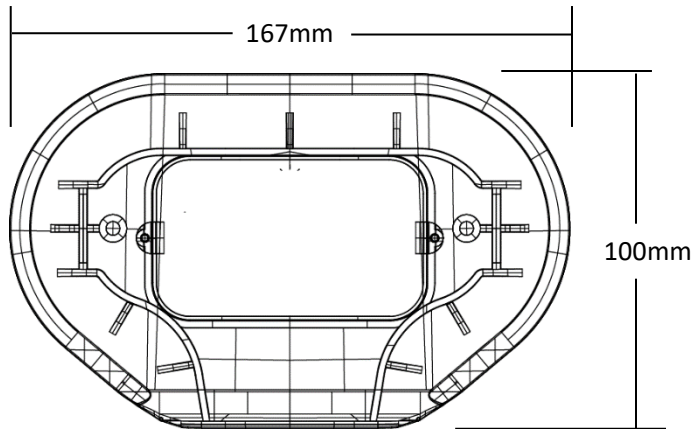
Phone: 260-918-2758  
E-mail: sales@lakelite.com  
Web: www.lakelite.com

# Solar Pocket Dock Lites

MODEL: LL-SDL-EZ-v2



Dimensions = mm



## Disclaimer

***EZ DOCK is a registered trademark of E-Z Dock, Inc. Lake Lite, Inc. and this product are not sponsored by, endorsed by, or affiliated with E-Z Dock, Inc. in any way."***

### Owner Registration Card

Please fill out and affix proper postage and return this owner registration card **within 10 days** to ensure that your new Solar Lite is covered by the limited warranty.

Purchaser's Name \_\_\_\_\_

Address \_\_\_\_\_

State \_\_\_\_\_ Zip \_\_\_\_\_

Purchase Date: \_\_\_\_\_ Number of Lights: \_\_\_\_\_

Where Purchased (Store Name): \_\_\_\_\_

Model No. LL-SDL-EZ-V2

UPC No. Varies On Different Models

Lake Lite Inc.  
100 Industrial Dr. Avilla, IN 46710

### Lake Lite Inc. 1-Year Limited Warranty

The retailer warrants the Solar Lite to be free from defects in workmanship and material present at time of shipment from the factory for a period of one year after the date of purchase by the original purchaser. We agree to correct such defects without charge or at our option replace with a comparable or superior model if the product is returned to the retailer. To obtain warranty service, you must present a copy of the receipt as proof of purchase. All costs of removing and reinstalling the product are your responsibility. Damage to any part such as by accident or misuse or improper installation or by affixing any accessories, is not covered by this warranty. There is no other express warranty. The retailer hereby disclaims any and all warranties, including but not limited to, those of merchantability and fitness for a particular purpose to the extent permitted by law. The duration of any implied warranty, which cannot be disclaimed, is limited to the time period as specified in the express warranty. Some states do not allow limitation on how long an implied warranty lasts, so the above limitation may not apply to you. The retailer shall not be liable for incidental, consequential, or special damages arising out of or in connection with product use or performance except as may otherwise be accorded by law. Some states do not allow the exclusion of incidental or consequential damage, so the above exclusion or limitation may apply to you. This warranty gives specific legal rights, and you may also have other rights, which vary from state to state. This warranty supersedes all prior warranties.



Lake Lite Inc.  
100 Industrial Dr.  
Avilla, IN 46710

Phone: 260-918-2758  
E-mail: sales@lakelite.com  
Web: www.lakelite.com