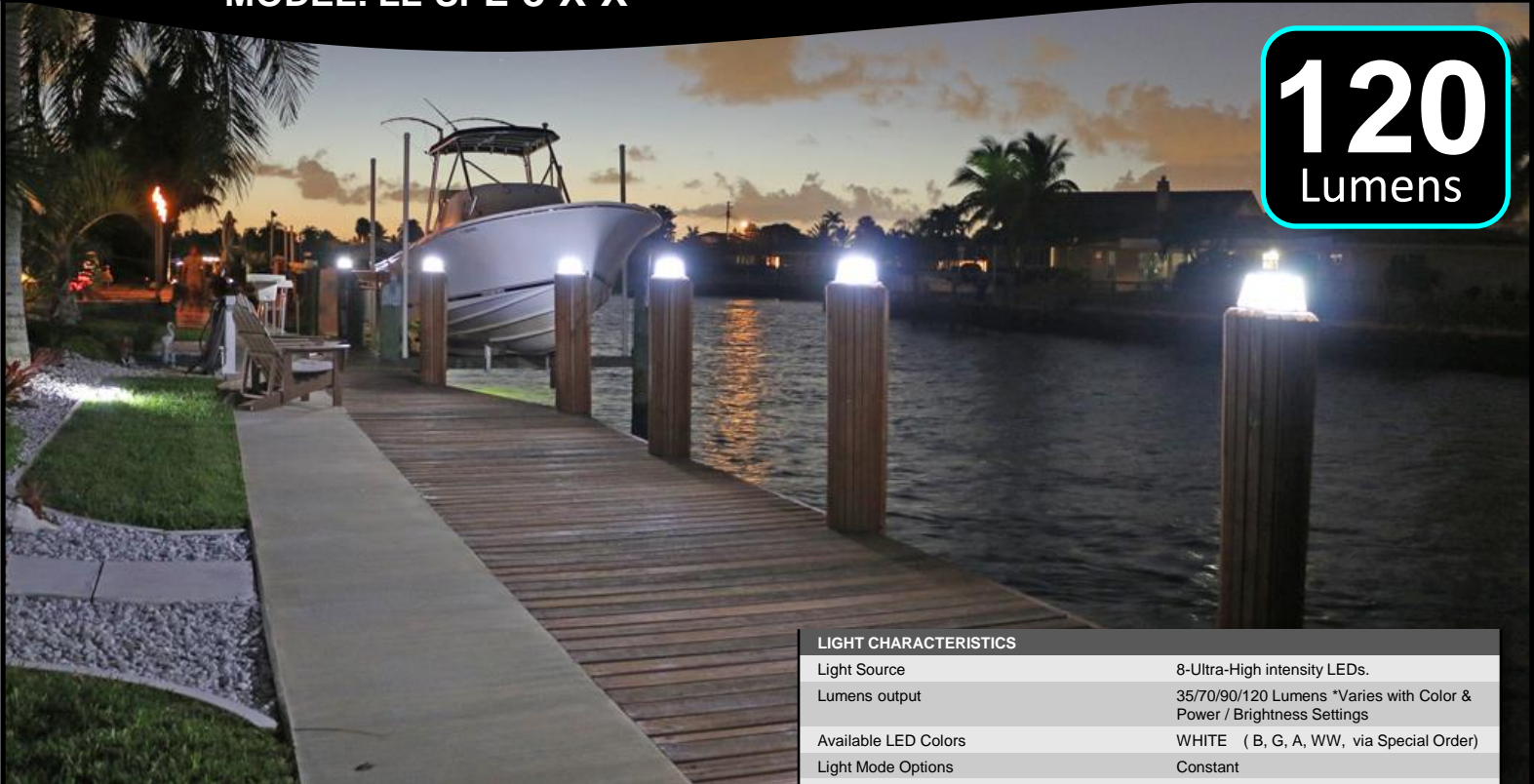


SOLAR PILING LITE – 8”

MODEL: LL-SPL-8-X-X



120
Lumens



SOLAR PILING LITES



LIGHT CHARACTERISTICS

Light Source	8-Ultra-High intensity LEDs.
Lumens output	35/70/90/120 Lumens *Varies with Color & Power / Brightness Settings
Available LED Colors	WHITE (B, G, A, WW, via Special Order)
Light Mode Options	Constant
Visible Range	1- 2+ Nautical Mile *Varies with LED color & Brightness Settings
Horizontal Output (degrees)	360 Deg.
Vertical Divergence (degrees)	100-180 Deg. Various with Mounting
LED Life Expectancy (hours)	> 100,000 hrs

ELECTRICAL CHARACTERISTICS

Circuit Protection	Integrated
Nominal Voltage (v)	3.2v
Autonomy (hours)	16-20hrs *On full Charge * Varies With Brightness Settings & Conditions
Temperature Range	-10 to 70 C

SOLAR CHARACTERISTICS

Solar Module Type	Multicrystalline or Monocrystalline
Power (watts)	2.2w
Solar Module Efficiency (%)	16-17%

POWER SUPPLY

Battery Type	High Capacity LiFePo4
Battery Size	3pcs Parallel LiFePo4
Battery Capacity (mAh)	3000mA
Nominal Voltage (v)	3.2v
Battery Service Life	3-6 years (Varies with local Environment)
Battery Service Access	Yes: User Changeable / Replaceable

PHYSICAL CHARACTERISTICS

Body Material	Marine Grade Aluminum + Powder Coat
Lens Material	UV-Stabilized Polycarbonate
External Lens Design	Horizontal Lenticular
Internal Lens design	Vertical Lenticular
Water Proof Rating	IP 68
Mounting	Fits on Piling or flat surfaces 8” diameter and Larger
Height	106.5mm
Width / Diameter	203mm
Weight	4 lbs

OPTIONS

Custom Options, Sizes, & Colors	Please Contact
Custom Hardware & Mounting	Please Contact

* Information subject to change without notice



PO BOX 414
105 W. Simon St.
Laotto, IN 46763

Phone: 260-918-2758
Fax: 260-918-3540
E-mail sales@lakelite.com

www.lakelite.com
www.solarpilinglites.com

SOLAR PILING LITE – 8”



MODEL: LL-SPL-8-X-X



Caution! When plugging battery connectors together, align notches before connecting both connectors. Failure to do so could result in permanent damage to the light.

Battery Information

LiFePo4 Type Battery:

Volts: 3.2v Cell Size: 18500 Capacity: 3000mA

DO NOT USE: standard 1.2v NiMh or NiCd type Rechargeable batteries or they will be damaged!



BATTERY MAINTENANCE

For prolonged storage when not using the product please follow these procedures.

1. Charge Batteries inside product on sunny day
2. Before Nightfall Disconnect the battery from the product
3. Store Battery and Product in warm/dry location.
4. **Note:** Batteries can be damaged from sub-zero temperatures when not in use.



CAUTION: PLEASE KEEP OUR ENVIRONMENT CLEAN! BATTERIES MUST BE RECYCLED OR DISPOSED OF PROPERLY.

Mounting Hardware Suggestions – Not Included

Mount Type	Hardware	Stainless Steel Recommended
No Through Hole	#14 OVAL HEAD Screws x Desired Length	
No Through Hole	5/16" Lag Bolts x Necessary Length with 5/16" Washers	
No Through Hole	3/8" Lag Bolts x necessary Length with 3/8" Washers	
Through Hole	5/16" Bolts X Necessary Length with 5/16" Washers & 5/16" Nuts	
Through Hole	3/8" Bolts X Necessary Length with 3/8" Washers & 3/8" Nuts	



PO BOX 414
105 W. Simon St.
Laotto, IN 46763

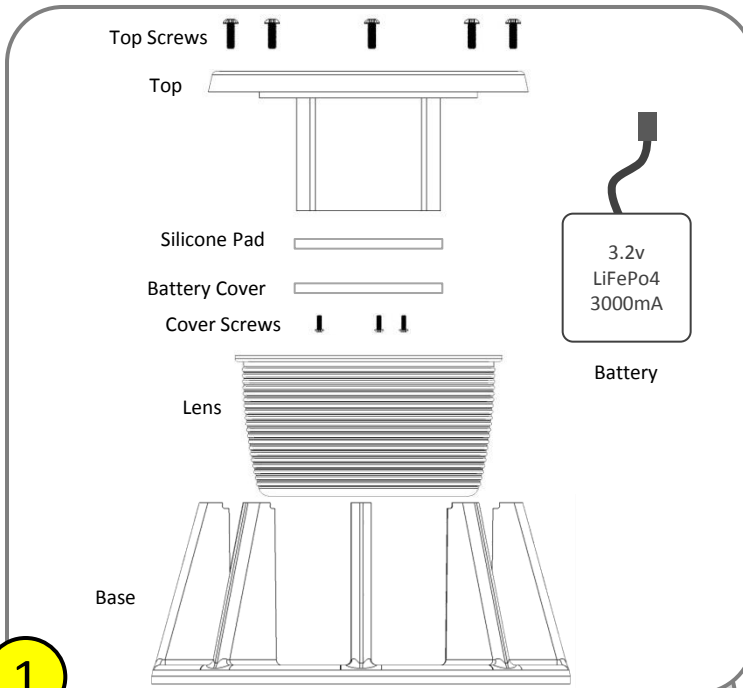
Phone: 260-918-2758
Fax: 260-918-3540
E-mail sales@lakelite.com

www.lakelite.com
www.solarpilinglites.com

SOLAR PILING LITE – 8”

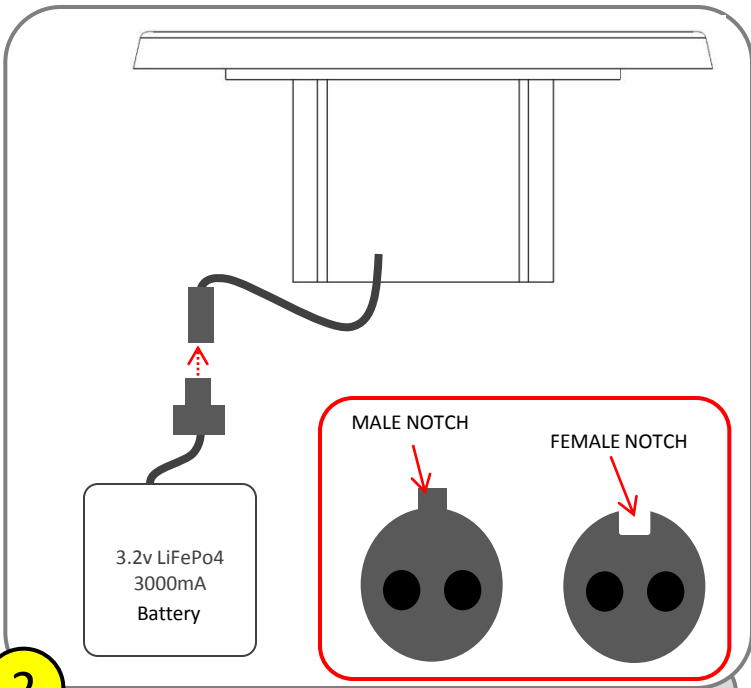


MODEL: LL-SPL-8-X-X



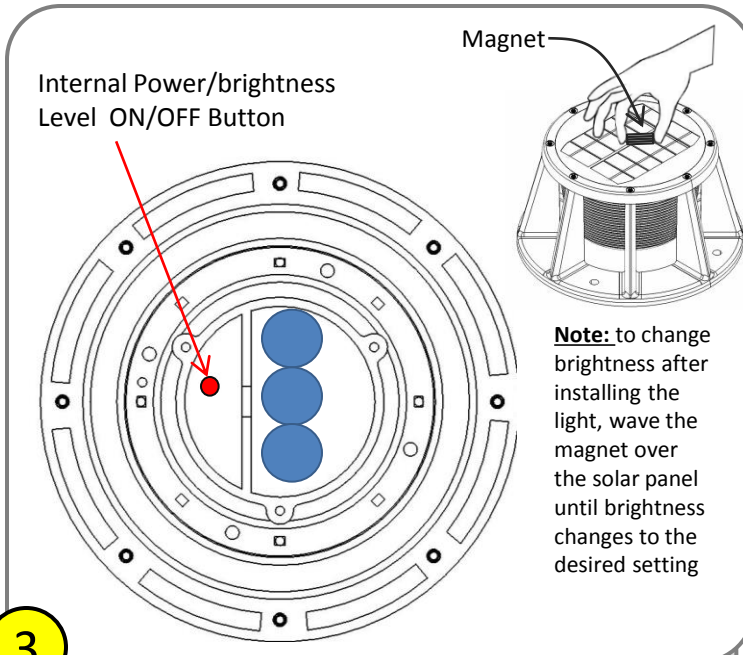
1

Use the provided wrench to separate your light: The battery is not connected when shipped.



2

Connect Battery: Caution! When plugging battery connectors together, align notches before joining both connectors. Forcing or connecting backwards will damage the light.



3

Look inside the light to see a small push button in order to select power level or on/off position.

Power Setting	* Run Times
100%	6-8 hrs
80%	7-9 hrs
60%	10-12 hrs
40%	13-15hrs
20%	16-20 hrs
OFF	OFF

4

NEW: Magnet Switch
This light features a magnet switch underneath the solar panel which allows you to change the power/brightness level without re-opening the light fixture. Wave the magnet over the solar panel back and forth until you see the brightness change.

* **Note:** Run times will vary significantly based on factors such as; Sun Exposure, Season, Geographic Location, Shading, Installed Location/Position, Battery Condition, Brightness Setting, etc... The following run times should only be used as a general reference and are not guaranteed. Consider your local environment.



PO BOX 414
105 W. Simon St.
Laotto, IN 46763

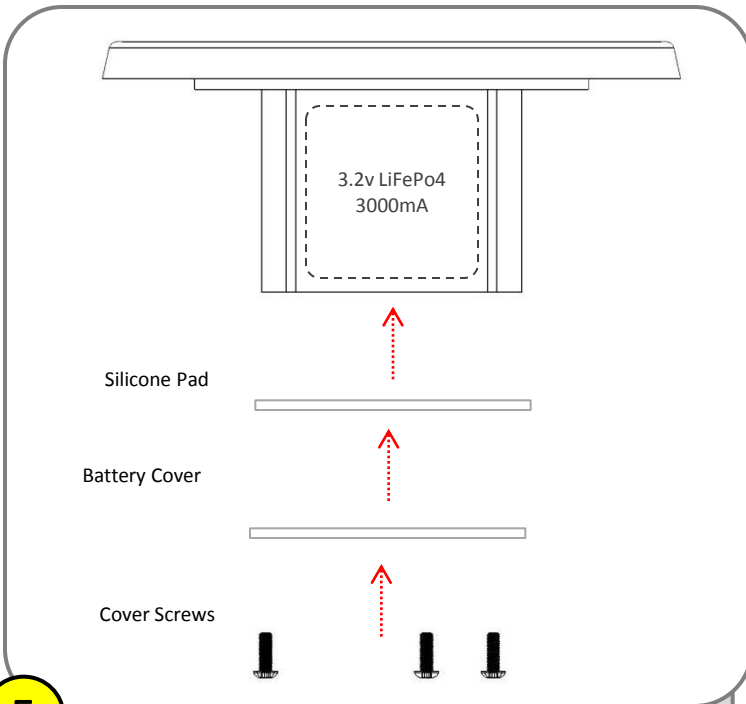
Phone: 260-918-2758
Fax: 260-918-3540
E-mail sales@lakelite.com

www.lakelite.com
www.solarpilinglites.com

SOLAR PILING LITE – 8”

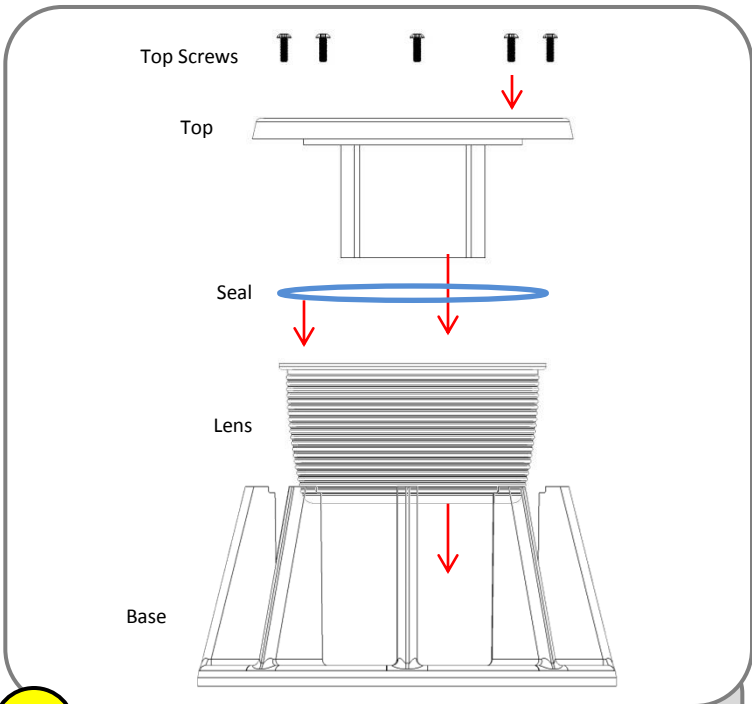


MODEL: LL-SPL-8-X-X



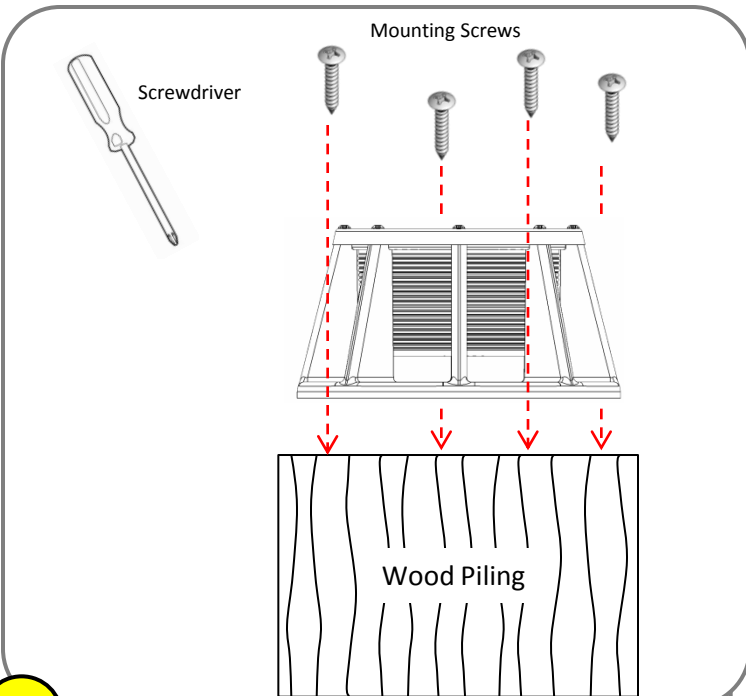
5

Use the provided wrench and screws to secure the silicone pad and battery cover. Fully tighten screws to ensure the chamber is water proof.



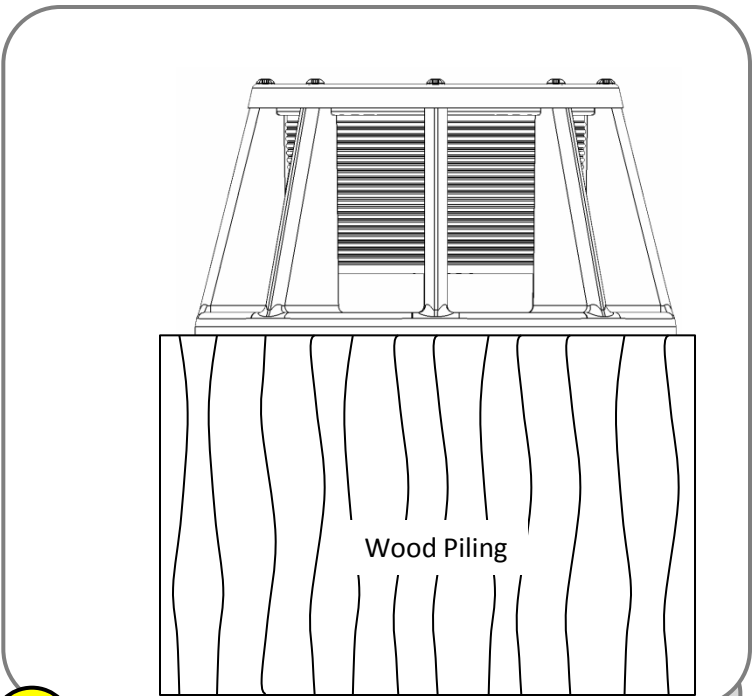
6

Use Provided wrench and top screws to assembly your light together. NOTE: The seal must be in the correct position before tightening down the top to the base.



7

Place light onto piling and mark holes. Drill small pilot holes in piling with drill bit. Use screwdriver to secure the light to your piling with mounting screws – *Not Included*



8

Verify that the top screws are tight to provide a good seal for the lens. Verify that the base of the light is secured to the piling.



PO BOX 414
105 W. Simon St.
Laotto, IN 46763

Phone: 260-918-2758
Fax: 260-918-3540
E-mail sales@lakelite.com

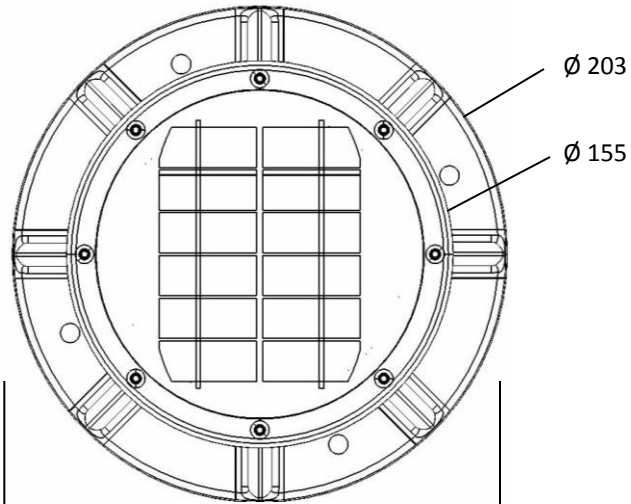
www.lakelite.com
www.solarpilinglites.com

SOLAR PILING LITE – 8”

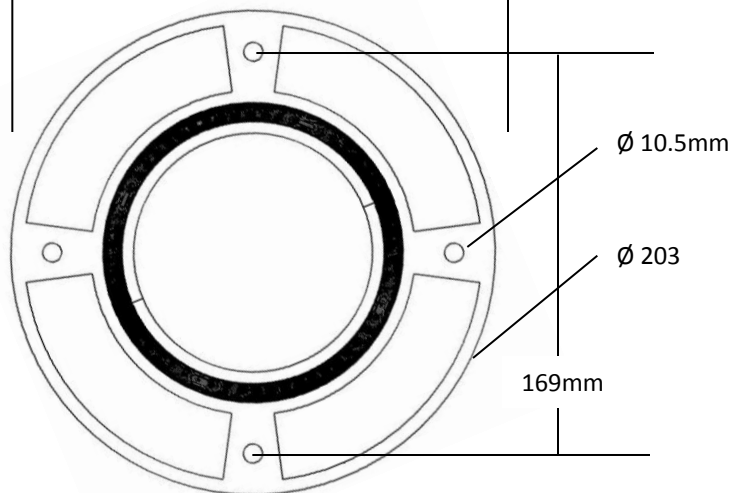
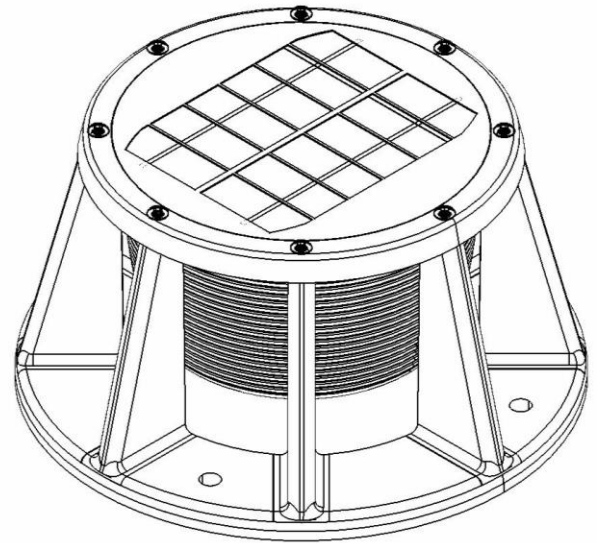


MODEL: LL-SPL-8-X-X

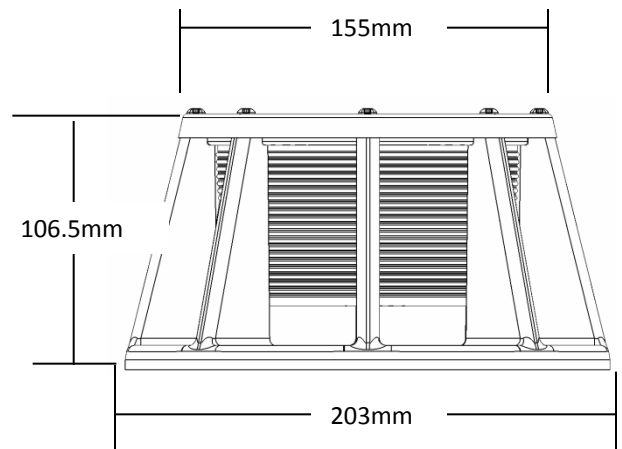
Dimensions = mm



203mm



169mm



155mm

106.5mm

203mm

Owner Registration Card

Please fill out and affix proper postage and return this owner registration card **within 10 days** to insure that your new Solar Piling Light is covered by the limited warranty.

Purchaser's Name _____

Address _____

State _____ Zip _____

Purchase Date: _____ Number of Lights: _____

Where Purchased (Store Name): _____

Model No. _____ LL-SPL-8-X-X
 UPC No. _____ Varies On Different
 Models

Lake Lite Inc.
 P.O. Box 414, Laotto, IN 46763

Lake Lite Inc. 1-Year Limited Warranty

The retailer warrants the Solar Lite to be free from defects in workmanship and material present at time of shipment from the factory for a period of one year after the date of purchase by the original purchaser. We agree to correct such defects without charge or at our option replace with a comparable or superior model if the product is returned to the retailer. To obtain warranty service, you must present a copy of the receipt as proof of purchase. All costs of removing and reinstalling the product are your responsibility. Damage to any part such as by accident or misuse or improper installation or by affixing any accessories, is not covered by this warranty. There is no other express warranty. The retailer hereby disclaims any and all warranties, including but not limited to, those of merchantability and fitness for a particular purpose to the extent permitted by law. The duration of any implied warranty, which cannot be disclaimed, is limited to the time period as specified in the express warranty. Some states do not allow limitation on how long an implied warranty lasts, so the above limitation may not apply to you. The retailer shall not be liable for incidental, consequential, or special damages arising out of or in connection with product use or performance except as may otherwise be accorded by law. Some states do not allow the exclusion of incidental or consequential damage, so the above exclusion or limitation may apply to you. This warranty gives specific legal rights, and you may also have other rights, which vary from state to state. This warranty supersedes all prior warranties.



PO BOX 414
 105 W. Simon St.
 Laotto, IN 46763

Phone: 260-918-2758
 Fax: 260-918-3540
 E-mail sales@lakelite.com

www.lakelite.com
 www.solarpilinglites.com