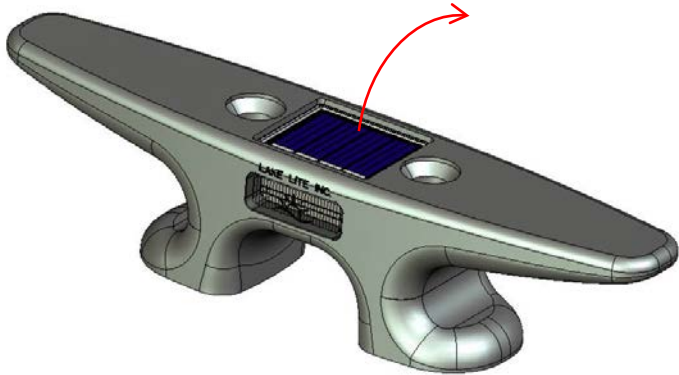


8" Nylon cleat Instructions: Model: LL-SCL-8-EZ

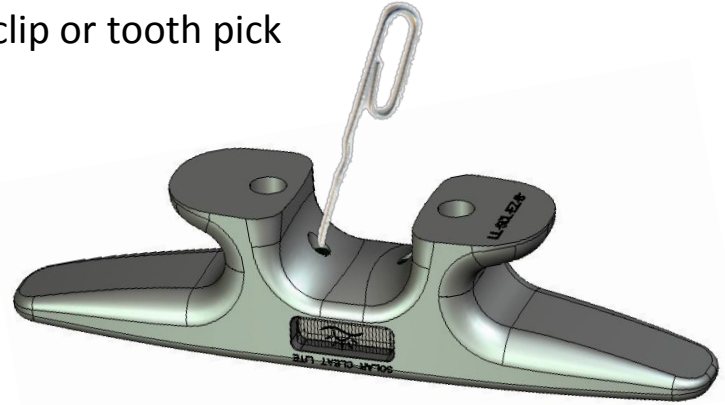
1

Take Solar Light unit Out



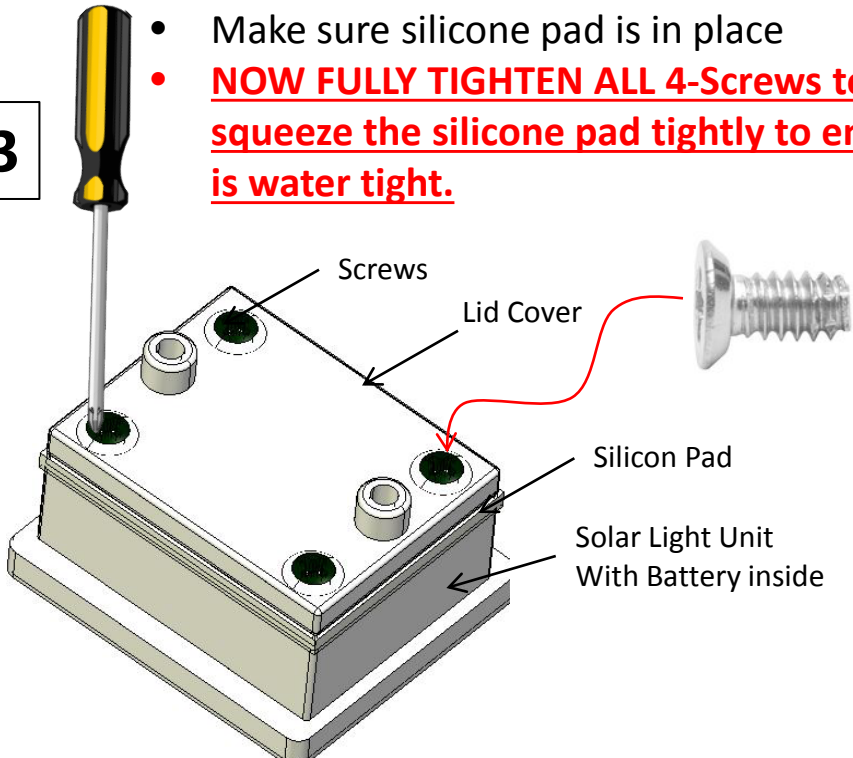
2

If the Solar Light Unit is stuck you can easily push it out through the bottom screw holes with a Paperclip or tooth pick



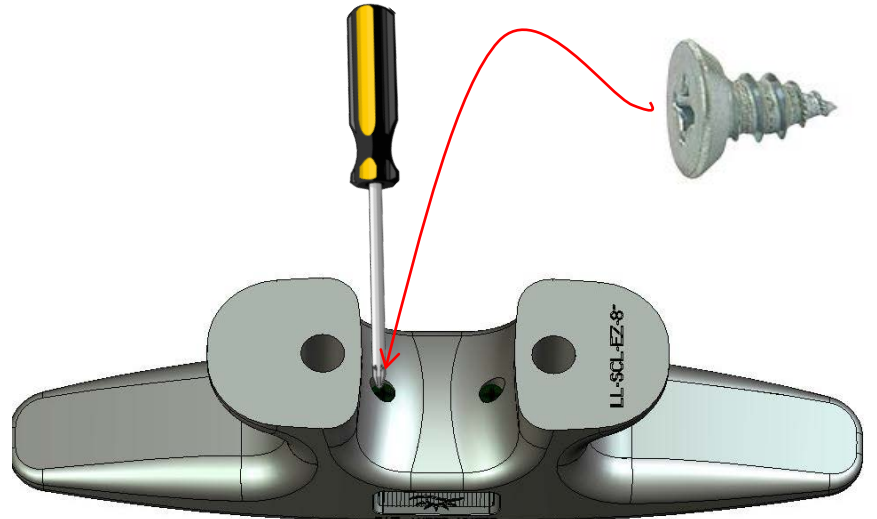
- **First Remove Battery Tab** to activate light
- Make sure silicone pad is in place
- **NOW FULLY TIGHTEN ALL 4-Screws to squeeze the silicone pad tightly to ensure it is water tight.**

3



4

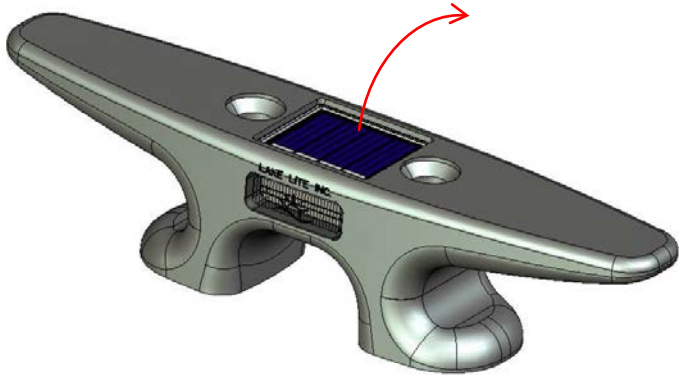
- Insert Solar Light Unit back into Cleat body
- Use the 2-screws with larger threads to secure the solar light unit to the cleat.



8" Nylon cleat Instructions: Model: LL-SCL-8-EZ

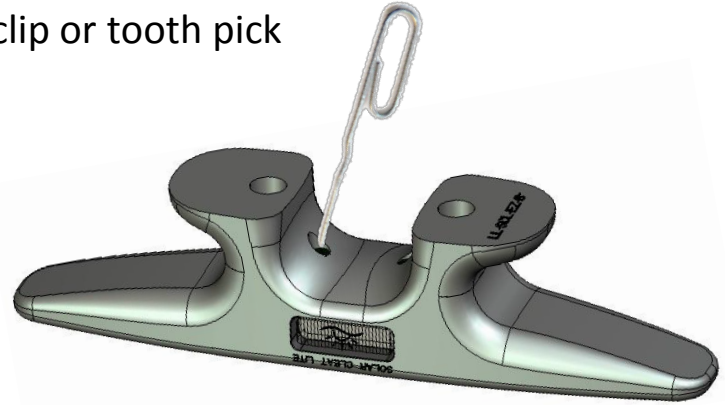
1

Take Solar Light unit Out



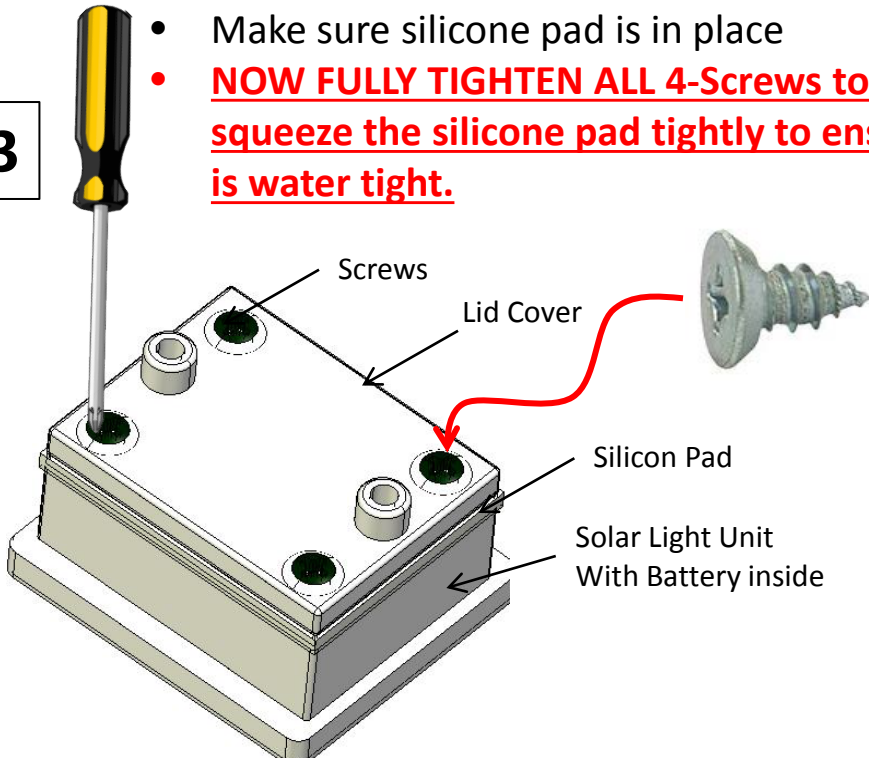
2

If the Solar Light Unit is stuck you can easily push it out through the bottom screw holes with a Paperclip or tooth pick



- **First Remove Battery Tab** to activate light
- Make sure silicone pad is in place
- **NOW FULLY TIGHTEN ALL 4-Screws to squeeze the silicone pad tightly to ensure it is water tight.**

3



4

- Insert Solar Light Unit back into Cleat body
- Use the 2-screws with larger threads to secure the solar light unit to the cleat.

