

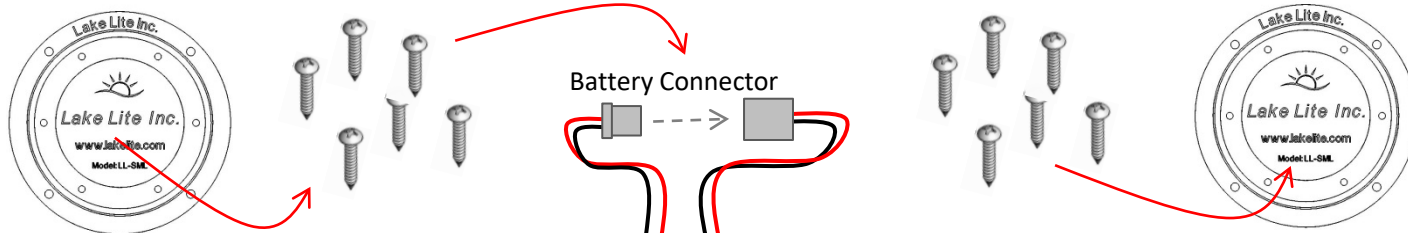
Solar Marine Lite

MODEL: LL-SML



1nm

NOTE: BATTERY MUST BE INSTALLED & CONNECTED TO FUNCTION

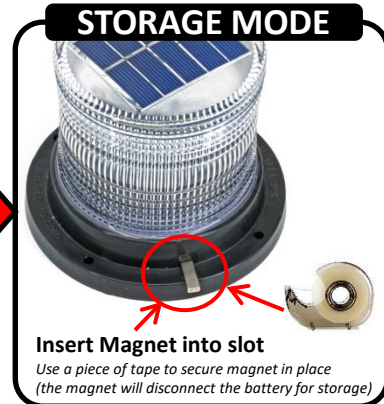


INSTALLING THE BATTERY

1. Remove Battery Cover from bottom of unit.
2. Connect both sides of the battery connector together
3. **Internal Switch, Changes between Flashing or Constant Modes.**
4. Install or check that the silicone O-Ring seal is in place and correctly in position
5. Attach and tighten the battery cover with the provided 6-screws. Be sure to work your way around to each screw to fully tighten.

WARNING: LONG TERM STORAGE DIRECTIONS:

1. Charge the Light on a Sunny Day.
2. Before Nightfall Disconnect Battery & store battery in climate controller area for long term storage. You may also use the magnet to disconnect the battery for storage. Make sure the magnet will not fall out during storage or the battery may be damaged. Use a piece of tape to secure the magnet in place during storage



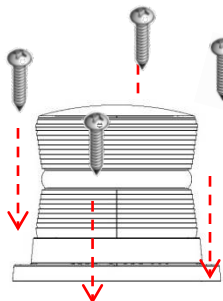
Mounting your Light to a Surface

1. Purchase desired mounting screws or bolts
2. Place/Space Marine Lite in desired locations on surface
3. Use pencil to mark mounting holes
4. Use electric drill with small drill bit to make pilot holes
5. Use Screw Driver or Electric Screw Driver to mount unit

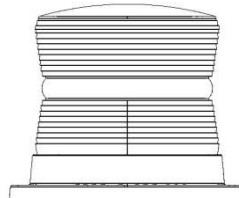
Recommended Screw size #10 or #12 x 1" or Longer

2-Screws/Bolts
For each light

Tools Required



Mounting Surface



Mounting Surface

SCAN ME

NEW: Watch Online Installation Video!

NOTE:

1. LED Light inside is activated by darkness, Unit must be in a dark area before light will activate. Place in dark room to test unit.
2. Battery must be charged in order for the LED Light to turn on. Make sure battery is connected inside and then place in sunlight to charge.



CAUTION: CONTAINS NICKEL-CADMIUM BATTERIES. BATTERY MUST BE RECYCLED OR DISPOSED OF PROPERLY.



Lake Lite Inc.
100 Industrial Dr.
Avilla, IN 46710

Phone: 260-918-2758
E-mail: sales@lakelite.com
Web: www.lakelite.com

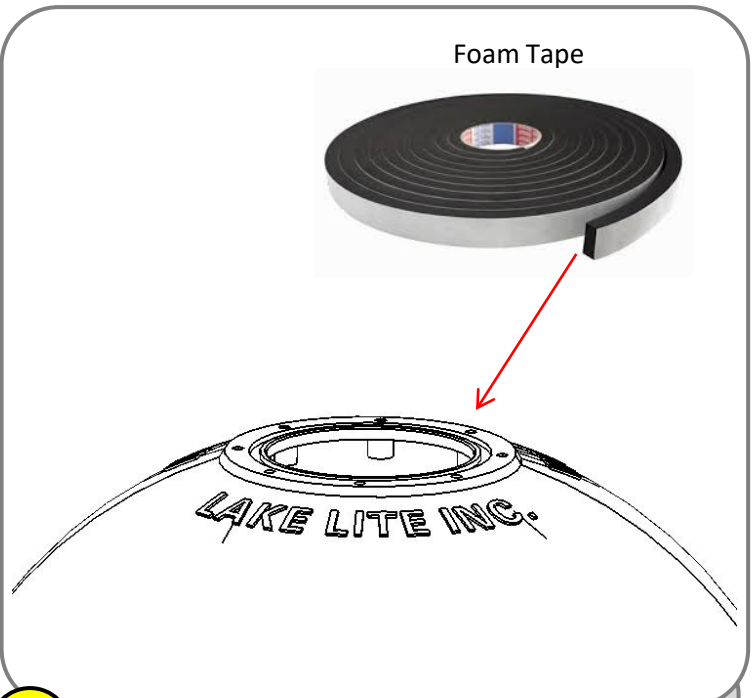
SOLAR REGULATORY BUOY

MODEL: LL-BUOY-B



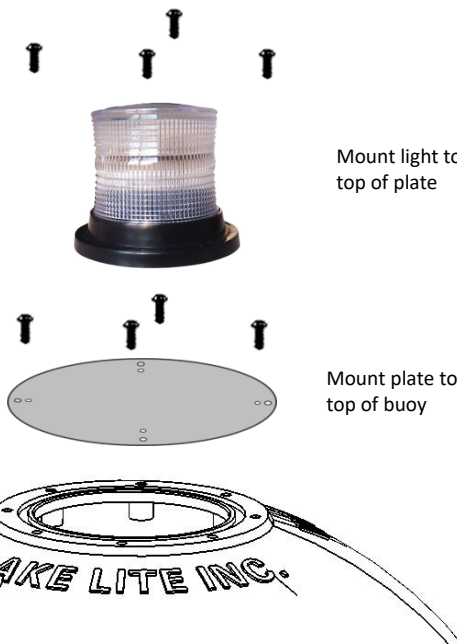
1

Please follow the instructions of the Solar Marine Light: NOTE the battery is not connected: Remove bottom, connect battery, select lighting mode before installing.



2

Use the provided foam tape in the channel around the top of the buoy. Be sure to overlap the two ends slightly.

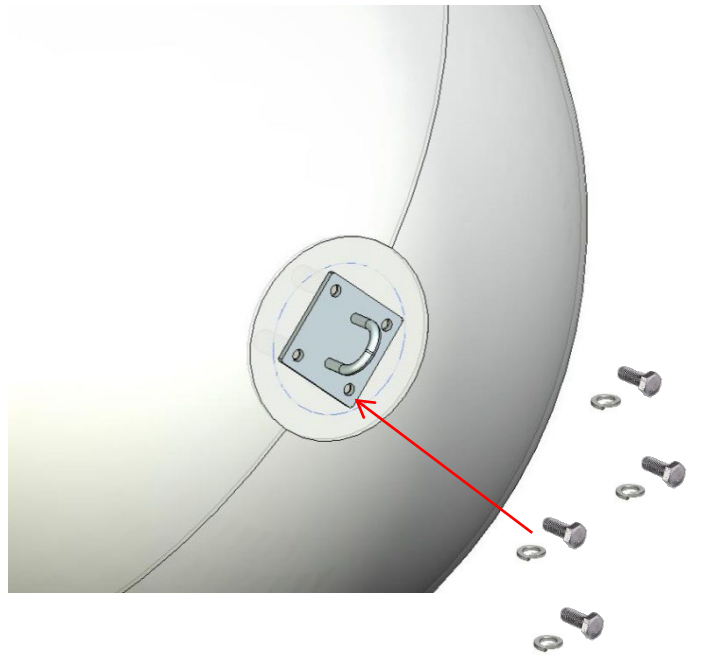


Mount light to top of plate

Mount plate to top of buoy

3

Use provided screws to attach the round plate to the buoy top. Ensure the plate is tight and the foam tape is making a good seal underneath. Next mount light to top of plate.



4

Attach the ballast pole to the bottom of the buoy with the 4 large hex bolts and lock washers.



Lake Lite Inc.
100 Industrial Dr.
Avilla, IN 46710

Phone: 260-918-2758
E-mail: sales@lakelite.com
Web: www.lakelite.com

SOLAR REGULATORY BUOY

MODEL: LL-BUOY-B



Water Level



Required Hardware

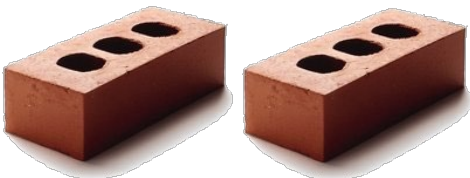
Chain



4pcs Chain Quick Links



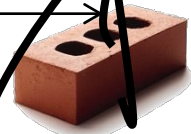
2pcs Standard Bricks



Lake Bottom

WARNING:

Be sure to use chain as (rope will wear on the brick and break)



1-Red Brick
(Ballast Weight)



1-Red Brick
(Anchor Weight)

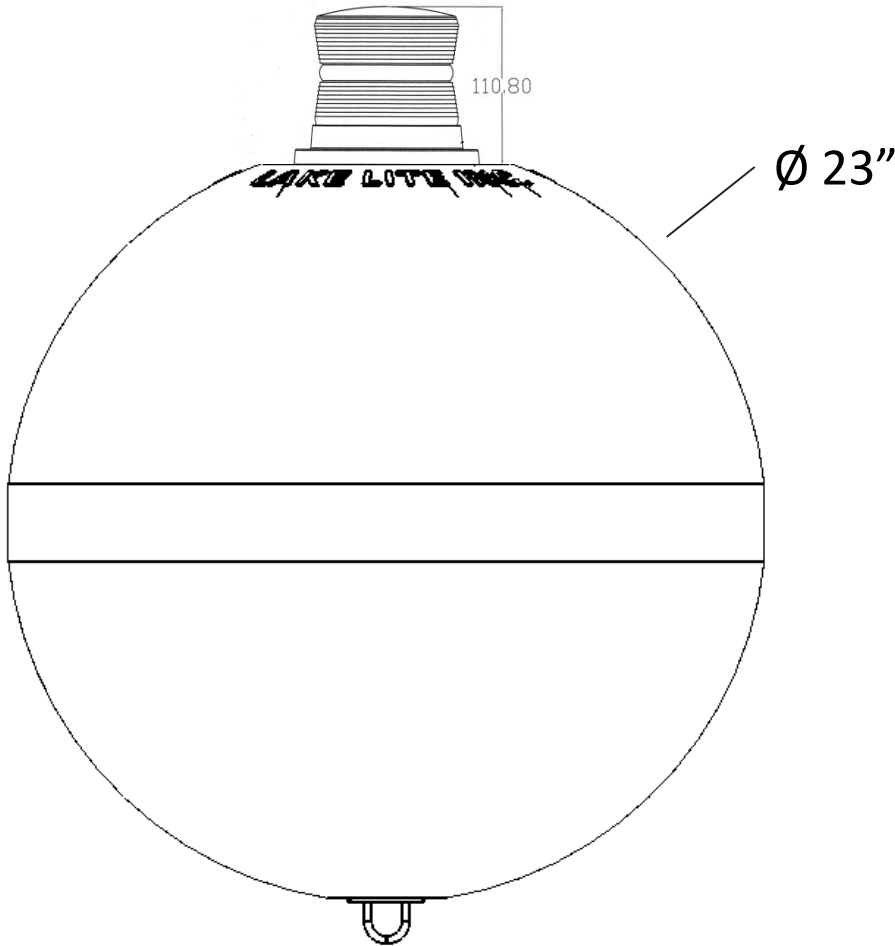


Lake Lite Inc.
100 Industrial Dr.
Avilla, IN 46710

Phone: 260-918-2758
E-mail: sales@lakelite.com
Web: www.lakelite.com

SOLAR REGULATORY BUOY

MODEL: LL-BUOY-B



Owner Registration Card

Please fill out and affix proper postage and return this owner registration card **within 10 days** to ensure that your new Solar Buoy Light is covered by the limited warranty.

Purchaser's Name _____

Address _____

State _____ Zip _____

Purchase Date: _____ Number of Lights: _____

Where Purchased (Store Name): _____

Model No. _____ LL-BUOY-B
UPC No. _____ Varies On Different
Models

Lake Lite Inc.
100 Industrial Dr.
Avilla, IN 46710

Lake Lite Inc. 1-Year Limited Warranty

The retailer warrants the Solar Lite to be free from defects in workmanship and material present at time of shipment from the factory for a period of one year after the date of purchase by the original purchaser. We agree to correct such defects without charge or at our option replace with a comparable or superior model if the product is returned to the retailer. To obtain warranty service, you must present a copy of the receipt as proof of purchase. All costs of removing and reinstalling the product are your responsibility. Damage to any part such as by accident or misuse or improper installation or by affixing any accessories, is not covered by this warranty. There is no other express warranty. The retailer hereby disclaims any and all warranties, including but not limited to, those of merchantability and fitness for a particular purpose to the extent permitted by law. The duration of any implied warranty, which cannot be disclaimed, is limited to the time period as specified in the express warranty. Some states do not allow limitation on how long an implied warranty lasts, so the above limitation may not apply to you. The retailer shall not be liable for incidental, consequential, or special damages arising out of or in connection with product use or performance except as may otherwise be accorded by law. Some states do not allow the exclusion of incidental or consequential damage, so the above exclusion or limitation may apply to you. This warranty gives specific legal rights, and you may also have other rights, which vary from state to state. This warranty supersedes all prior warranties.



Lake Lite Inc.
100 Industrial Dr.
Avilla, IN 46710

Phone: 260-918-2758
E-mail: sales@lakelite.com
Web: www.lakelite.com

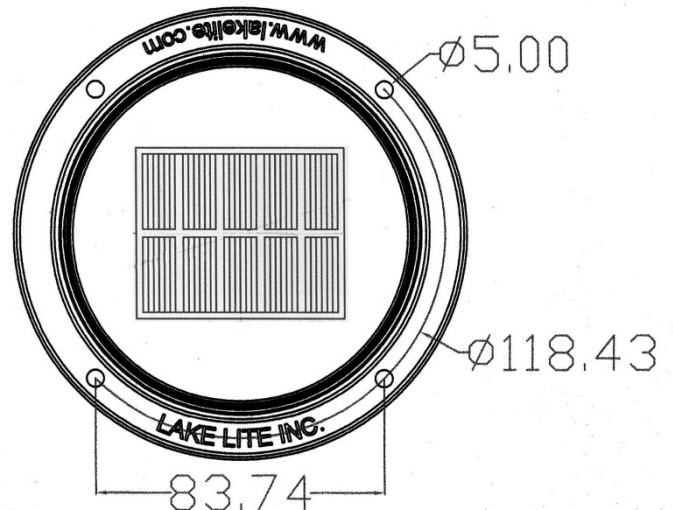
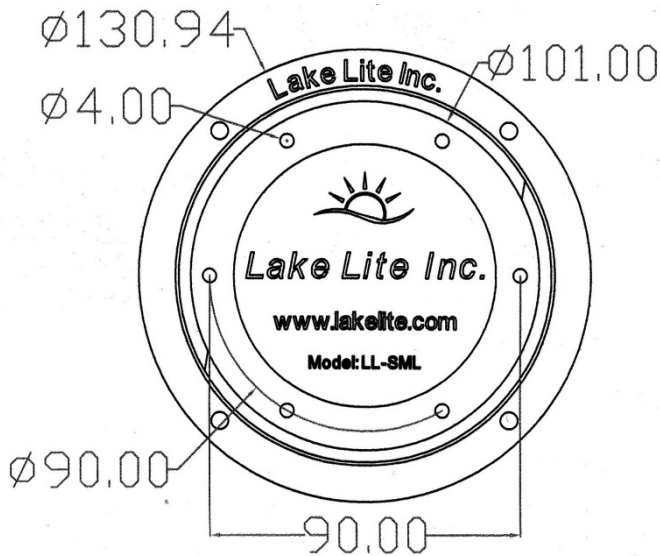
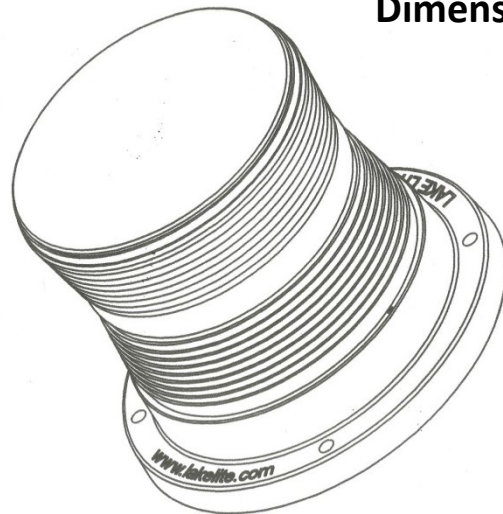
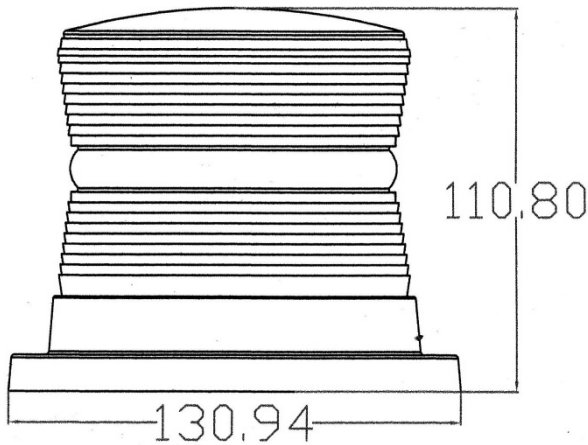
Solar Marine Lite

MODEL: LL-SML

1 nm



Dimensions = mm



Owner Registration Card

Please fill out and affix proper postage and return this owner registration card **within 10 days** to insure that your new Solar Marine Lite is covered by the limited warranty.

Purchaser's Name _____

Address _____

State _____ Zip _____

Purchase Date: _____ Number of Lights: _____

Where Purchased (Store Name): _____

Model No. LL-SML
UPC No. Varies On Different Models

Lake Lite Inc.
100 Industrial Dr.
Avilla, IN 46710

Lake Lite Inc. 1-Year Limited Warranty

The retailer warrants the Solar Marine Lite to be free from defects in workmanship and material present at time of shipment from the factory for a period of one year after the date of purchase by the original purchaser. We agree to correct such defects without charge or at our option replace with a comparable or superior model if the product is returned to the retailer. To obtain warranty service, you must present a copy of the receipt as proof of purchase. All costs of removing and reinstalling the product are your responsibility. Damage to any part such as by accident or misuse or improper installation or by affixing any accessories, is not covered by this warranty. There is no other express warranty. The retailer hereby disclaims any and all warranties, including but not limited to, those of merchantability and fitness for a particular purpose to the extent permitted by law. The duration of any implied warranty, which cannot be disclaimed, is limited to the time period as specified in the express warranty. Some states do not allow limitation on how long an implied warranty lasts, so the above limitation may not apply to you. The retailer shall not be liable for incidental, consequential, or special damages arising out of or in connection with product use or performance except as may otherwise be accorded by law. Some states do not allow the exclusion of incidental or consequential damage, so the above exclusion or limitation may apply to you. This warranty gives specific legal rights, and you may also have other rights, which vary from state to state. This warranty supersedes all prior warranties.



Lake Lite Inc.
100 Industrial Dr.
Avilla, IN 46710

Phone: 260-918-2758
E-mail: sales@lakelite.com
Web: www.lakelite.com