

Solar Marine Lite

MODEL: LL-SML



Solar Marine Dock Light: Model LL-SML

The Solar Marine Lite is an industrial strength solar powered light designed for harsh environments. Available in five colors and changes easily between constant & flashing mode. High intensity LED's and powerful solar panel provide all night illumination. Perfect for dock lighting, marinas, boat houses, safety lighting, channel markers, buoys, obstruction lighting, mooring lights, or anywhere a light may be needed. Mounts virtually anywhere in minutes providing a fast & cost-effective lighting solution.



LIGHT CHARACTERISTICS	
Light Source	6-Ultra-High intensity LEDs.
Lumens Output	12 Lumens
Available LED Colors	White, Blue, Green, Amber, Red
Light Mode Options (user switchable)	Constant & 1/sec. Flash or 5/sec. Flash
Visible Range Constant Light Mode	0.5 – 0.75 nm (Run Time 30 hrs Max)
Visible Range Flashing 1/sec Mode	1.0 – 1.25 nm (Run Time 40-45 hrs Max)
Horizontal Output (degrees)	360°
Vertical Divergence (degrees)	7-10°
Intensity Adjustment	Automatic for Constant & Flashing
LED Life Expectancy (hours)	> 100,000 hrs
ELECTRICAL CHARACTERISTICS	
Circuit Protection	Integrated
Nominal Voltage (v)	1.2v
Autonomy (hours) Constant Mode	30 hrs Constant Mode
Autonomy (hours) Flashing 1/sec Mode	40-45 hrs Flashing Mode
Temperature Range	-22 -176° Fahrenheit
SOLAR CHARACTERISTICS	
Solar Module Type	Multicrystalline
Power (watts)	0.45 watts
Solar Module Efficiency (%)	14-16%
POWER SUPPLY	
Battery Type	High Grade NiMh – ECO Friendly
Battery Capacity (mAh)	2200 mAh
Nominal Voltage (v)	1.2v
Battery Service Life	1-3 years (Varies with local Environment)
Battery Service Access	Yes: User Changeable / Replaceable
PHYSICAL CHARACTERISTICS	
Body Material	UV Stabilized Poly Carbonate
Lens Material	UV Stabilized Poly Carbonate
External Lens Design	Fresnel Lens
Internal Lens design	360° Lenticular
Waterproof Rating	IP 68
Mounting	4 x 5mm mounting holes
Height	4-1/2"
Width / Diameter	5-1/4"
Weight	1.4 lbs
OPTIONS	
Custom Mounting & Hardware	Please Contact
Custom Flash Patterns and IALA Codes	Please Contact

* Information subject to change without notice



Lake Lite Inc.
100 Industrial Dr.
Avilla, IN 46710

Phone: 260-918-2758
E-mail: sales@lakelite.com
Web: www.lakelite.com

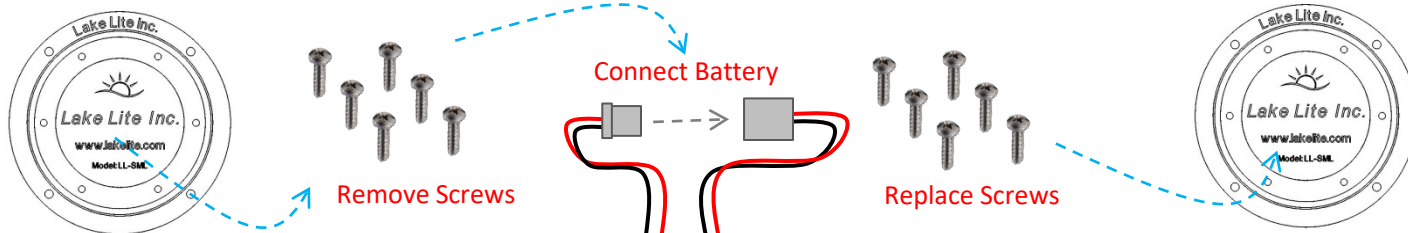
Solar Marine Lite

MODEL: LL-SML



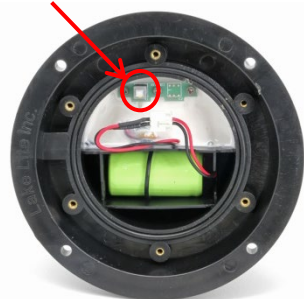
1nm

NOTE: BATTERY MUST BE INSTALLED & CONNECTED TO FUNCTION



INSIDE BUTTONS

Flash/Constant Switch



INSTALLING THE BATTERY

1. Remove Battery Cover from bottom of unit.
2. Connect both sides of the battery connector together
3. **Internal Switch, Changes between Flashing or Constant Modes.**
4. Install or check that the silicone O-Ring seal is in place and correctly in position
5. Attach and tighten the battery cover with the provided 6-screws. Be sure to work your way around to each screw to fully tighten.

WARNING: LONG TERM STORAGE DIRECTIONS:

1. Charge the Light on a Sunny Day.
2. Before Nightfall Disconnect Battery & store battery in climate controller area for long term storage. You may also use the magnet to disconnect the battery for storage. Make sure the magnet will not fall out during storage or the battery may be damaged. Use a piece of tape to secure the magnet in place during storage

STORAGE MODE



Insert Magnet into slot

Use a piece of tape to secure magnet in place (the magnet will disconnect the battery for storage)

Mounting your Light to a Surface

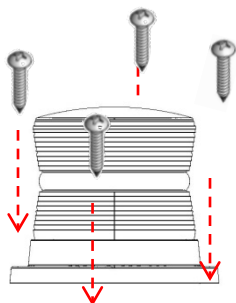
1. Purchase desired mounting screws or bolts
2. Place/Space Marine Light in desired locations on surface
3. Use pencil to mark mounting holes
4. Use electric drill with small drill bit to make pilot holes
5. Use Screwdriver or Electric Screwdriver to mount unit

Recommended Screw size #10 or #12 x 1" or Longer

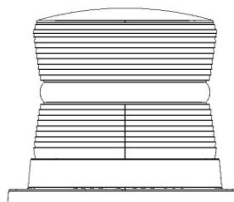
2-Screws/Bolts
For each light



Tools Required



Mounting Surface



Mounting Surface



NEW: Watch Online Installation Video!

NOTE:

1. LED Light inside is activated by darkness, Unit must be in a dark area before light will activate. Place in dark room to test unit.
2. Battery must be charged in order for the LED Light to turn on. Make sure battery is connected inside and then place in sunlight to charge.



CAUTION: CONTAINS NICKEL-CADMIUM BATTERIES. BATTERY MUST BE RECYCLED OR DISPOSED OF PROPERLY.



Lake Lite Inc.
100 Industrial Dr.
Avilla, IN 46710

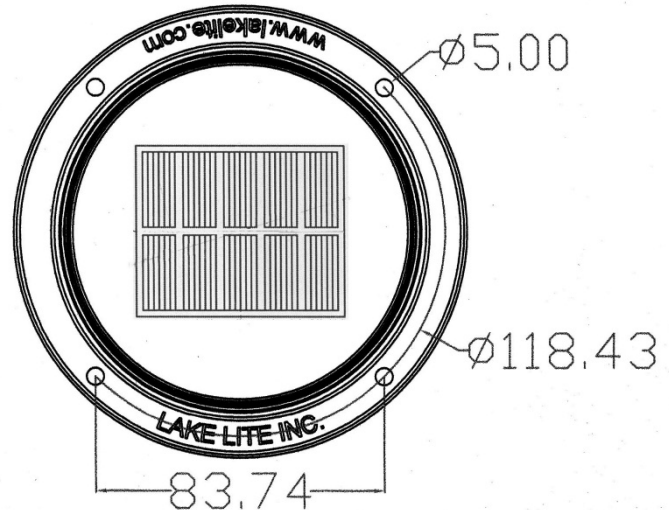
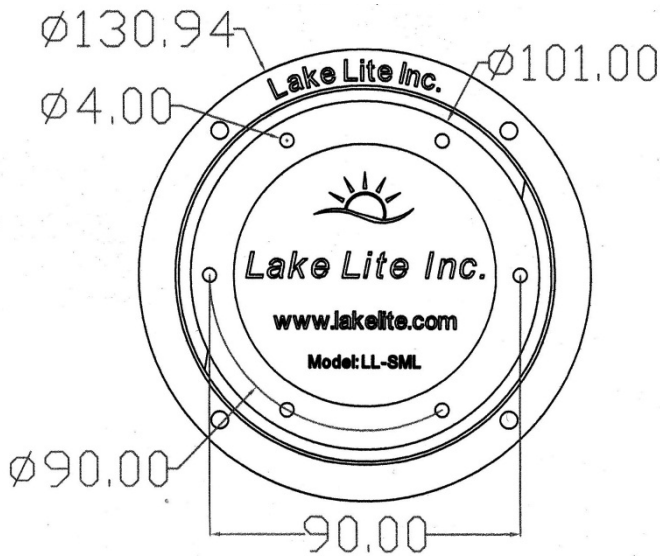
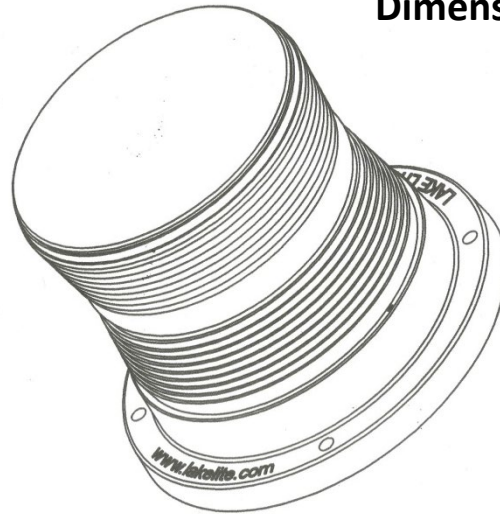
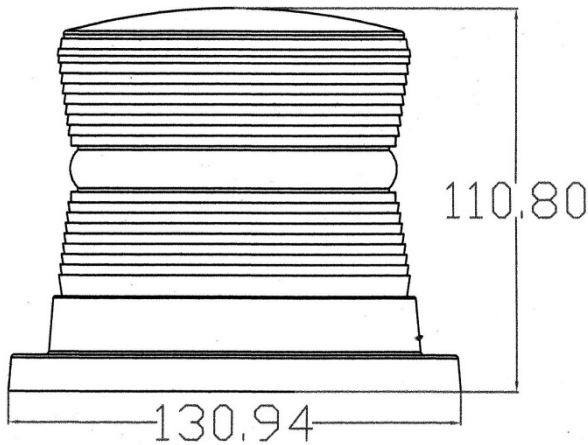
Phone: 260-918-2758
E-mail: sales@lakelite.com
Web: www.lakelite.com

Solar Marine Lite

MODEL: LL-SML 1 nm



Dimensions = mm



Owner Registration Card

Please fill out and affix proper postage and return this owner registration card **within 10 days** to ensure that your new Solar Marine Light is covered by the limited warranty.

Purchaser's Name _____

Address _____

State _____ Zip _____

Purchase Date: _____ Number of Lights: _____

Where Purchased (Store Name): _____

Model No. LL-SML
UPC No. Varies On Different Models

Lake Lite Inc.
100 Industrial Dr. Avilla, IN 46710

Lake Lite Inc. 1-Year Limited Warranty

The retailer warrants the Solar Marine Lite to be free from defects in workmanship and material present at time of shipment from the factory for a period of one year after the date of purchase by the original purchaser. We agree to correct such defects without charge or at our option replace with a comparable or superior model if the product is returned to the retailer. To obtain warranty service, you must present a copy of the receipt as proof of purchase. All costs of removing and reinstalling the product are your responsibility. Damage to any part such as by accident or misuse or improper installation or by affixing any accessories, is not covered by this warranty. There is no other express warranty. The retailer hereby disclaims any and all warranties, including but not limited to, those of merchantability and fitness for a particular purpose to the extent permitted by law. The duration of any implied warranty, which cannot be disclaimed, is limited to the time period as specified in the express warranty. Some states do not allow limitation on how long an implied warranty lasts, so the above limitation may not apply to you. The retailer shall not be liable for incidental, consequential, or special damages arising out of or in connection with product use or performance except as may otherwise be accorded by law. Some states do not allow the exclusion of incidental or consequential damage, so the above exclusion or limitation may apply to you. This warranty gives specific legal rights, and you may also have other rights, which vary from state to state. This warranty supersedes all prior warranties.



Lake Lite Inc.
100 Industrial Dr.
Avilla, IN 46710

Phone: 260-918-2758
E-mail: sales@lakelite.com
Web: www.lakelite.com

Solar Marine Lite

MODEL: LL-SML

1 nm



Solar Channel Markers

MARINAS – DOCKS – PILINGS – BUOYS – OIL BOOMS – CHANNEL MARKERS – BOAT HOUSES

Sealed
IP 68
construction

External
Fresnel Lens

360 Degree
Internal
Lenticular lens

Easy Mount
Base unit

Fully encapsulated solar panel for increased
efficiency during off peak charging hours

Automatic night
activation

6 High Intensity
LEDs

UV stabilized
polycarbonate

Internal user-replaceable
Battery in sealed
compartment

Internal user changeable
flash/steady option



Lake Lite Inc.
100 Industrial Dr.
Avilla, IN 46710

Phone: 260-918-2758
E-mail: sales@lakelite.com
Web: www.lakelite.com

Solar Marine Lite

MODEL: LL-SML

1 nm



Specifications

LIGHT CHARACTERISTICS

Light Source	6-Ultra-High intensity LEDs.
Available LED Colors	White, Blue, Green, Amber, Red
Light Mode Options (user switchable)	Constant & 1/sec. Flashing or 5/sec. Flashing
Visible Range Constant Light Mode	0.5 – 0.75 nm (Run Time 30 hrs Max)
Visible Range Flashing 1/sec Mode	1.0 – 1.25 nm (Run Time 40-45hrs Max)
Horizontal Output (degrees)	360°
Vertical Divergence (degrees)	7-10°
Intensity Adjustment	Automatic for Constant & Flashing Mode
LED Life Expectancy (hours)	> 100,000 hrs

ELECTRICAL CHARACTERISTICS

Circuit Protection	Integrated
Nominal Voltage (v)	1.2v
Autonomy (hours) Constant Mode	30 hrs in Constant Mode
Autonomy (hours) Flashing 1/sec Mode	40-45 hrs in Flashing Mode
Temperature Range	-22 -176° Fahrenheit

SOLAR CHARACTERISTICS

Solar Module Type	Multicrystalline
Power (watts)	0.45 watts
Solar Module Efficiency (%)	14-16%

POWER SUPPLY

Battery Type	High Grade NiMh – ECO Friendly
Battery Capacity (mAh)	2200 mAh
Nominal Voltage (v)	1.2v
Battery Service Life	1-3 years (Varies with local Environment)
Battery Service Access	Yes: User Changeable / Replaceable

PHYSICAL CHARACTERISTICS

Body Material	UV Stabilized Poly Carbonate
Lens Material	UV Stabilized Poly Carbonate
External Lens Design	Fresnel Lens
Internal Lens design	360° Lenticular
Waterproof Rating	IP 68
Mounting	4 x 5mm mounting holes
Height	4-1/2"
Width / Diameter	5-1/4"
Weight	1.4 lbs

OPTIONS

Custom Mounting & Hardware	Please Contact
Custom Flash Patterns and IALA Codes	Please Contact

* Information subject to change without notice.



Lake Lite Inc.
100 Industrial Dr.
Avilla, IN 46710

Phone: 260-918-2758
E-mail: sales@lakelite.com
Web: www.lakelite.com