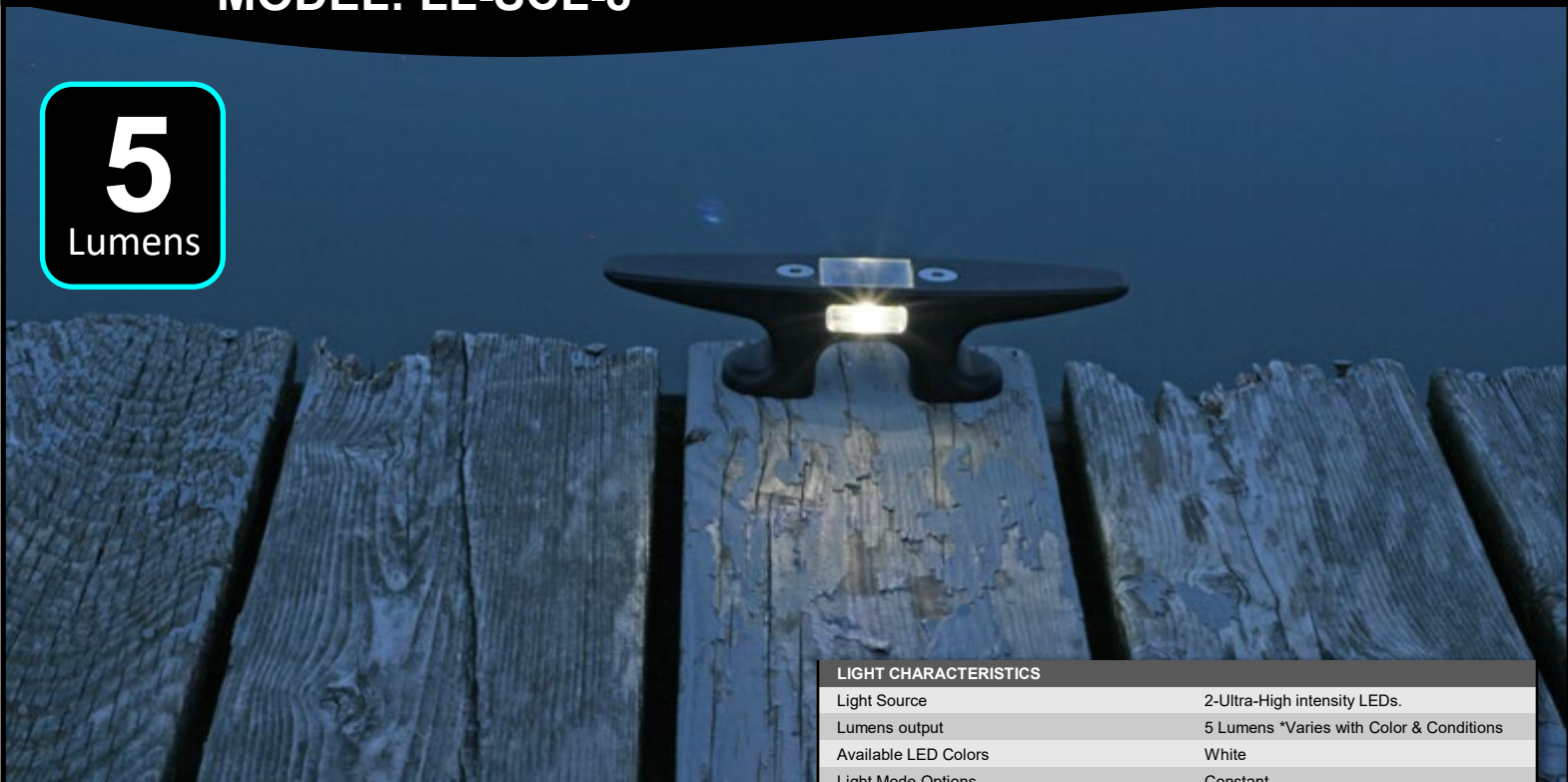


8" Solar Cleat Lite

MODEL: LL-SCL-8



5
Lumens



Solar Cleat Lite: LL-SCL-8

The 8" Solar Cleat Lite is perfect for all types of docks. Same bolt pattern as most popular nylon 8" cleat makes it a great substitute for existing 8" cleats! Easy hassle-free lighting keeps you from tripping over your cleats at night. No more stubbed toes after an evening boat ride. Easy to spot and tie up at night makes evening boating a breeze while the unique illuminating effect is sure to impress. Use multiple units for a safe and aesthetically appealing dock!

Easily mounts to all types of docks including the EZ-Dock & Wave-Armor brand floating docks. The bolt patterns are exactly the same as the bolt inserts. You can even use your existing hardware and bolts! Works with other rotationally molded floating docks that use the standard 8" nylon style cleat with whole spacing of 2-1/4".

LIGHT CHARACTERISTICS

Light Source	2-Ultra-High intensity LEDs.
Lumens output	5 Lumens *Varies with Color & Conditions
Available LED Colors	White
Light Mode Options	Constant
Visible Range	300m-500m+ Varies at viewing Angles
Horizontal Output (degrees)	180 Deg Left & Right
Vertical Divergence (degrees)	+ 90 Degrees
LED Life Expectancy (hours)	> 100,000 hrs

ELECTRICAL CHARACTERISTICS

Circuit Protection	Integrated
Nominal Voltage (v)	1.2v
Autonomy (hours)	14-18hrs *On full Charge
Temperature Range	14-158° Fahrenheit

SOLAR CHARACTERISTICS

Solar Module Type	Multicrystalline or Monocrystalline
Power (watts)	0.25 watts
Solar Module Efficiency (%)	16-17%

POWER SUPPLY

Battery Type	High Grade NiCd or NiMH- ECO Friendly
Battery Size	1 x 2/3 AAA
Battery Capacity (mAh)	300 mAh Depending On Model
Nominal Voltage (v)	1.2v / Battery
Battery Service Life	1-3 years (Varies with local Environment)
Battery Service Access	Yes: User Changeable / Replaceable

PHYSICAL CHARACTERISTICS

Body Material	Fiber Reinforced Nylon
Lens Material	PC
External Lens Design	Reflector
Internal Lens design	NA
Water Proof Rating	IP 68
Mounting	Any Flat Surface or EZ-Dock Floating Dock
Height	1-3/4"
Width	8"
Weight	N/A

OPTIONS

Custom Options, Sizes, & Colors	Please Contact
Custom Hardware & Mounting	Please Contact

* Information subject to change without notice



Lake Lite Inc.
100 Industrial Dr.
Avilla, IN 46710

Phone: 260-918-2758
E-mail: sales@lakelite.com
Web: www.lakelite.com

8" Solar Cleat Lite Replacement Pod



MODEL: LL-SCL-8-POD

Solar Cleat Lite: LL-SCL-8

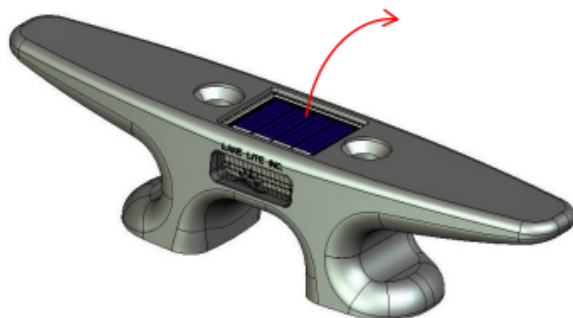
The 8" Solar Cleat Lite is perfect for all types of docks. Same bolt pattern as most popular nylon 8" cleat makes it a great substitute for existing 8" cleats! Easy hassle-free lighting keeps you from tripping over your cleats at night. No more stubbed toes after an evening boat ride.

Solar light stop lighting up? That is okay, save your cleat and replace your solar pod. It's quick and takes just minutes. Remove the solar pod by unscrewing from the cleat, swap out the old solar pod for the new, and secure pod back into the cleat with screws. It really is just that easy!

8" Nylon cleat Instructions: Model: LL-SCL-8

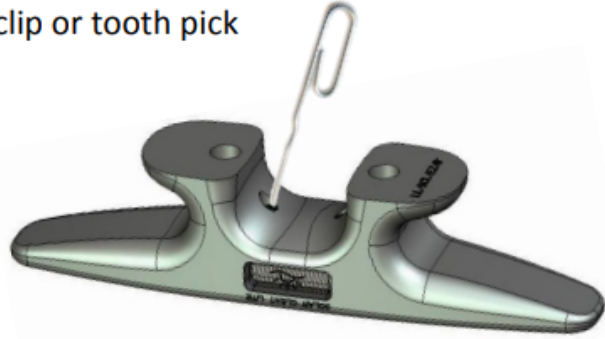
1

Take Solar Light unit Out



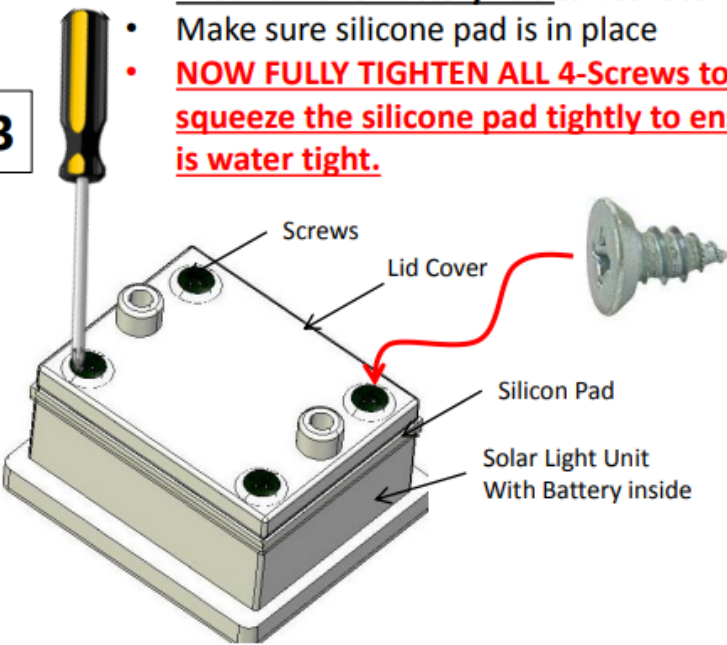
2

If the Solar Light Unit is stuck you can easily push it out through the bottom screw holes with a Paperclip or tooth pick



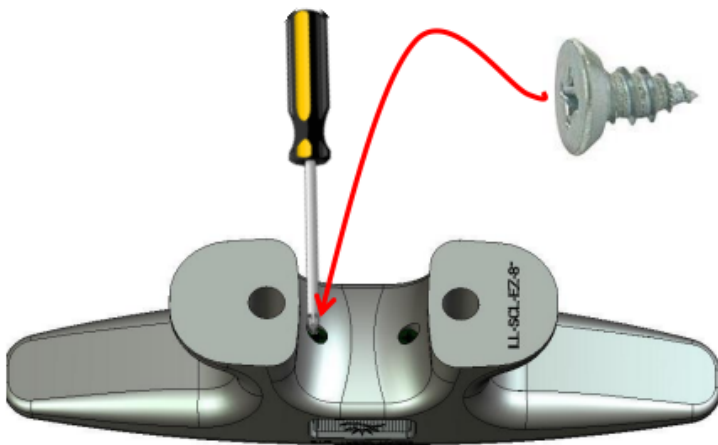
- **First Remove Battery Tab** to activate light
- Make sure silicone pad is in place
- **NOW FULLY TIGHTEN ALL 4-Screws to squeeze the silicone pad tightly to ensure it is water tight.**

3



4

- Insert Solar Light Unit back into Cleat body
- Use the 2-screws with larger threads to secure the solar light unit to the cleat.



Lake Lite Inc.
100 Industrial Dr.
Avilla, IN 46710

Phone: 260-918-2758
E-mail: sales@lakelite.com
Web: www.lakelite.com

8" Solar Cleat Lite Replacement Pod

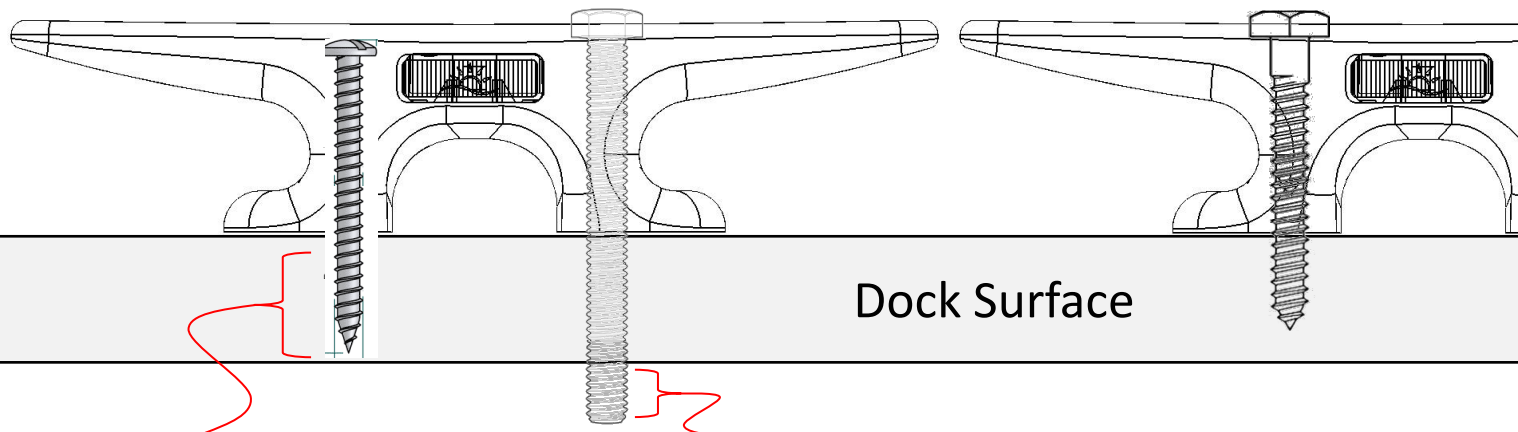


MODEL: LL-SCL-8-POD

Screw

Bolt

Lag Bolt



Dock Surface

When using screws make sure you have enough length going into your dock surface to secure the cleat properly

When using Bolts & Nuts: Make sure the bolt is long enough to exit through the other side for attaching the Nut.

Note: NOT using a washer on top will allow the bolt head to rest lower into the cleat.

When using a Lag Bolt: Make sure to use 5/16" x minimum of 3" long or longer
Note: NOT using a washer will allow the bolt head to rest lower into the cleat.

Mounting Hardware Suggestions

Application	Hardware	<i>Stainless Steel Recommended</i>
Light Duty	# 14 Screws x 3.00" or longer # 16 Screws x 3.00" or longer	
Heavy Duty	5/16" Lag Bolts x 3.00" or longer	
Heavy Duty	5/16" Bolts x Necessary Length to extend through mounting surface. Additional Nuts + Recommended Washers	
EZ-Dock Brand Docks	18-8 Stainless Steel Flat Head Socket Cap Screw, 5/16"-18 Thread, 2-1/4" Length	



Lake Lite Inc.
100 Industrial Dr.
Avilla, IN 46710

Phone: 260-918-2758
E-mail: sales@lakelite.com
Web: www.lakelite.com

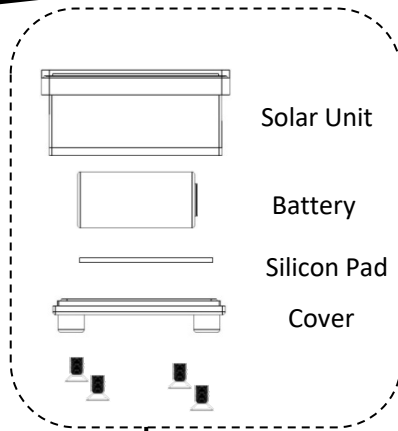
8" Solar Cleat Lite Replacement Pod



MODEL: LL-SCL-8

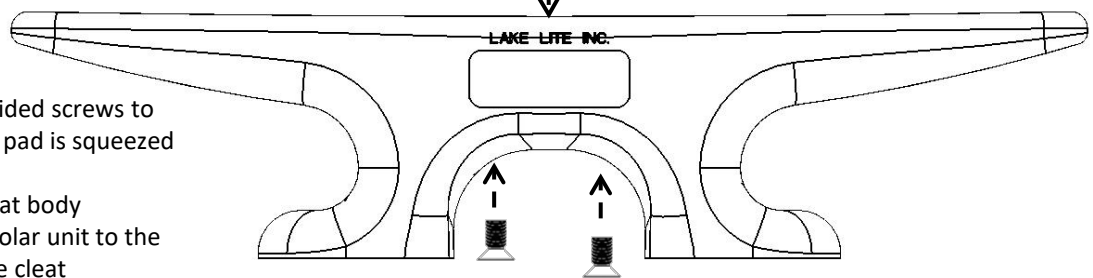


NEW: Watch Online Installation Video!



Installing Batteries

1. Install Battery in correct position
2. Place Silicone Pad in position
3. Place cover in position and use provided screws to tighten securely. Make sure silicone pad is squeezed tight for ensuring water tightness
4. Place entire solar unit into black cleat body
5. Use provided screws to secure the solar unit to the cleat body from the underside of the cleat



Mounting to Wood Dock

1. Select the Hardware & Mounting style you application requires: Please see Mounting Hardware Suggestions Page:
2. Use appropriate tools required for the mounting hardware you selected.
3. Make sure the cleat is secure to the dock surface before using.

2-Screws/Bolts
For each light



Tools Required



Storage Tips (Harsh Winters)



Extreme winter weather can reduce the life expectancy of your Solar Dock Lite

1. Extreme Cold weather can dramatically reduce the life expectancy of your rechargeable Ni-Cd or Ni-Mh battery.
2. Store your Solar Deck Lite inside during cold months when your dock is not in use.



CAUTION: CONTAINS NICKEL-CADMIUM BATTERIES. BATTERY MUST BE RECYCLED OR DISPOSED OF PROPERLY.



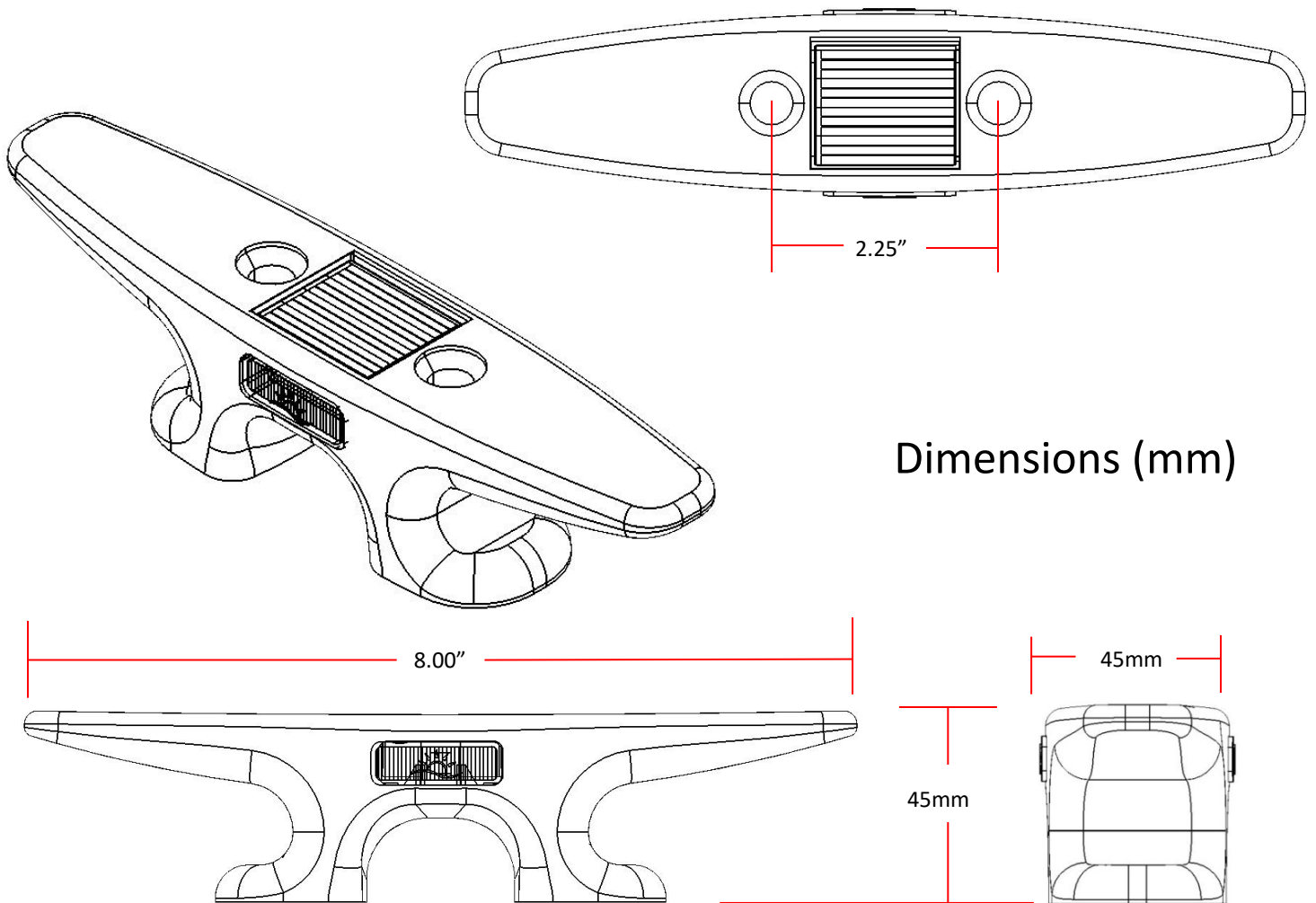
Lake Lite Inc.
100 Industrial Dr.
Avilla, IN 46710

Phone: 260-918-2758
E-mail: sales@lakelite.com
Web: www.lakelite.com

8" Solar Cleat Lite Replacement Pod



MODEL: LL-SCL-8



Dimensions (mm)

Owner Registration Card

Please fill out and affix proper postage and return this owner registration card **within 10 days** to ensure that your new Solar Dock Lite is covered by the limited warranty.

Purchaser's Name _____

Address _____

State _____ Zip _____

Purchase Date: _____ Number of Lights: _____

Where Purchased (Store Name): _____

Model No. LL-SCL-8
UPC No. Varies On Different Models

Lake Lite Inc.
100 Industrial Dr. Avilla, IN 46710

Lake Lite Inc. 1-Year Limited Warranty

The retailer warrants the Solar Lites to be free from defects in workmanship and material present at time of shipment from the factory for a period of one year after the date of purchase by the original purchaser. We agree to correct such defects without charge or at our option replace with a comparable or superior model if the product is returned to the retailer. To obtain warranty service, you must present a copy of the receipt as proof of purchase. All costs of removing and reinstalling the product are your responsibility. Damage to any part such as by accident or misuse or improper installation or by affixing any accessories, is not covered by this warranty. There is no other express warranty. The retailer hereby disclaims any and all warranties, including but not limited to, those of merchantability and fitness for a particular purpose to the extent permitted by law. The duration of any implied warranty, which cannot be disclaimed, is limited to the time period as specified in the express warranty. Some states do not allow limitation on how long an implied warranty lasts, so the above limitation may not apply to you. The retailer shall not be liable for incidental, consequential, or special damages arising out of or in connection with product use or performance except as may otherwise be accorded by law. Some states do not allow the exclusion of incidental or consequential damage, so the above exclusion or limitation may apply to you. This warranty gives specific legal rights, and you may also have other rights, which vary from state to state. This warranty supersedes all prior warranties.



Lake Lite Inc.
100 Industrial Dr.
Avilla, IN 46710

Phone: 260-918-2758
E-mail: sales@lakelite.com
Web: www.lakelite.com