

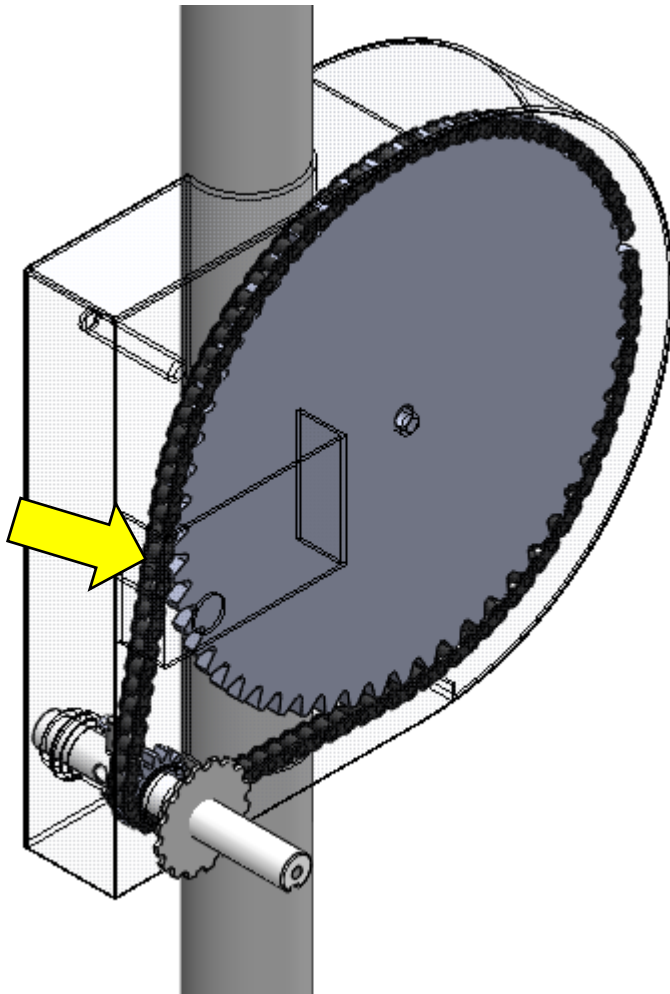
# ShoreStation Winches

## Shore Station (Single Chain)

2600 lbs.

3000 lbs.

**3600 lbs.**

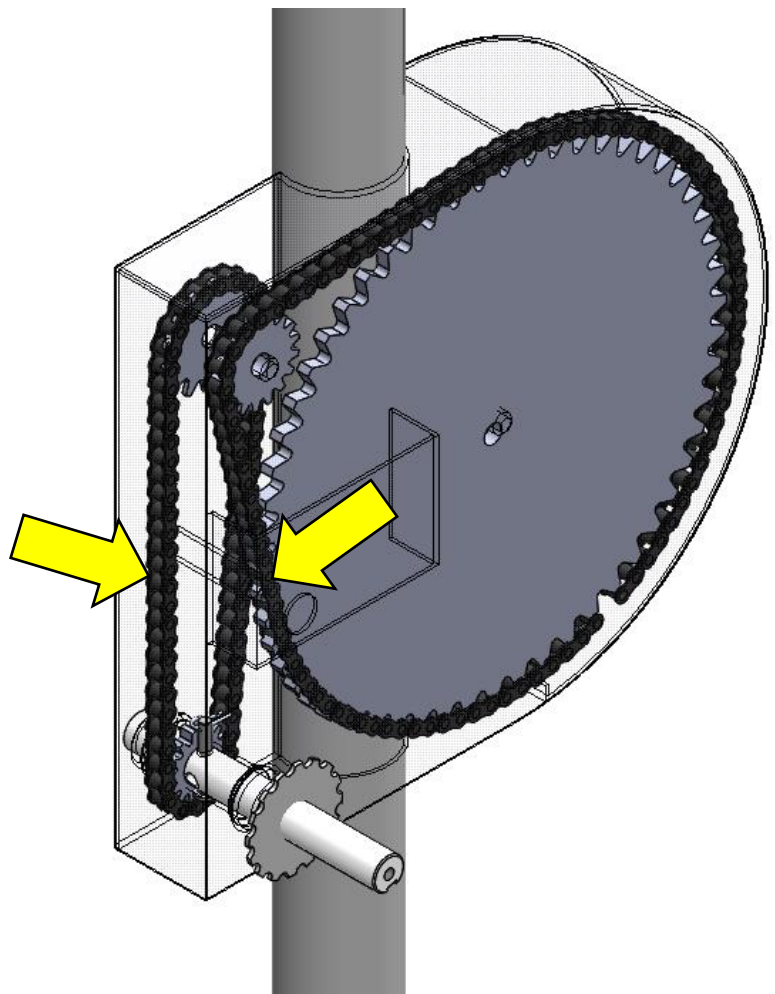


## Shore Station (Dual Chain)

4000 lbs.

5000 lbs.

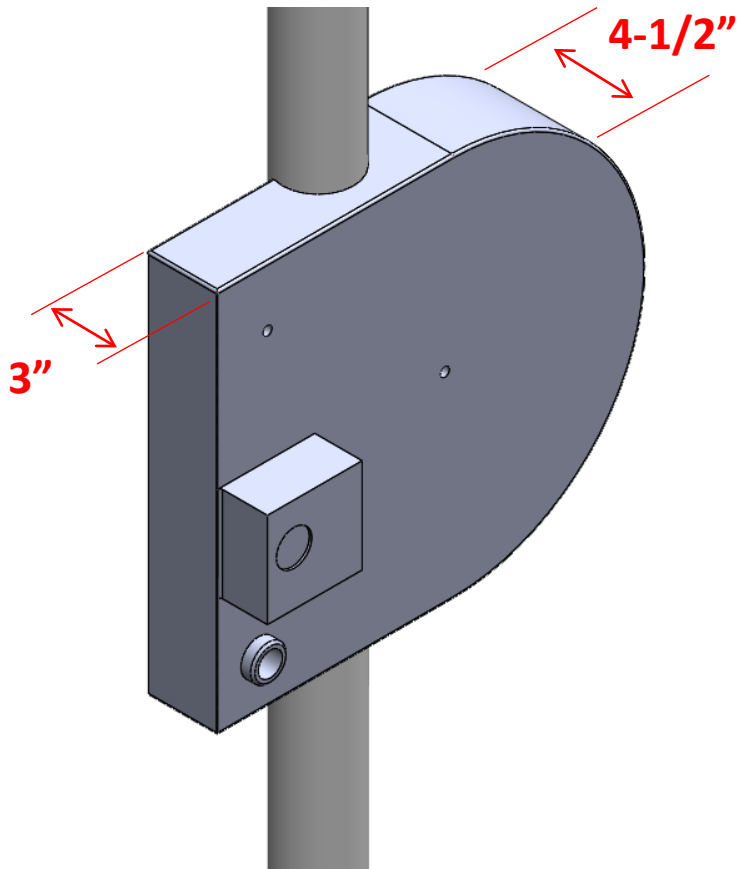
6000 lbs.



**3600 lbs. Single Chain Lifts Notice:** These lifts have a low gear ratio in comparison to their weight rating making them very difficult to crank. Wheel drive friction motors often will not work, or the motors burn out easily. Direct drive motors are fully capable of turning them however, sometimes the 3,600 lbs. lift is sold as a 4,000 lbs. lift and or a 3,600 lbs. winch box was placed on a 4,000 lbs. lift. Due to the low gear ratio, it is extremely difficult to lift(hand over hand on the wheel). In such cases, please contact us and we'll add higher gear reduction on the motor to improve the longevity of the direct drive motor.

## Shore Station

- 2,600 lbs. – Single Chain
- 3,000 lbs. – Single Chain
- 3,600 lbs. – Single Chain
- 4,000 lbs. – **DUAL** Chain

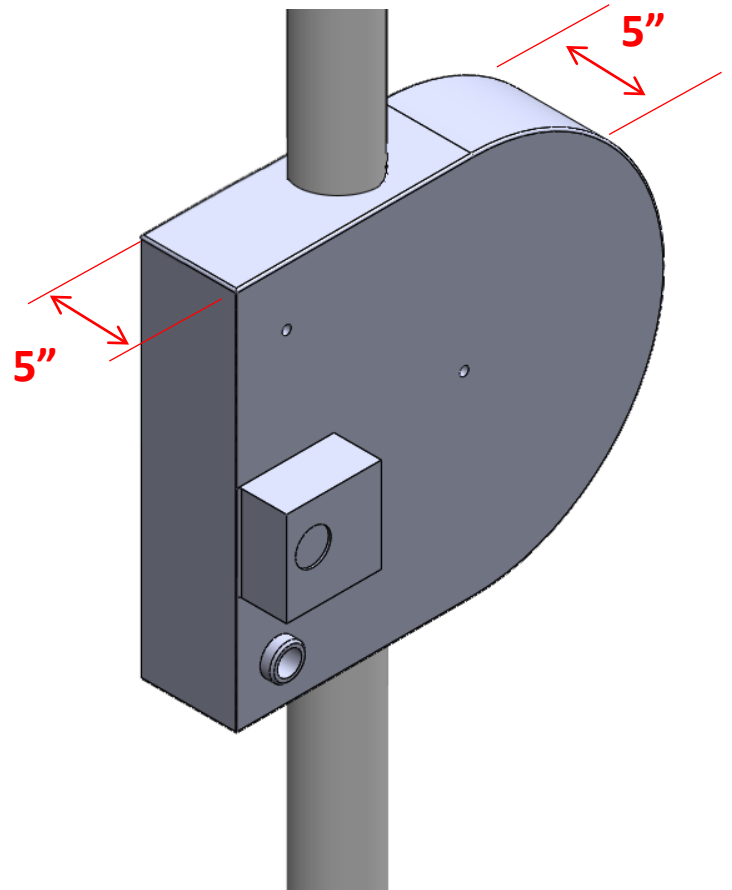


(SMALL / NARROW)  
WINCH

The rear side of the winch is narrower than the front side of the winch.

## Shore Station

- 5,000 lbs. – DUAL Chain
- 6,000 lbs. – DUAL Chain



(LARGE / WIDE)  
WINCH

The rear side of the winch is the SAME width as the front of the winch.