

# SOLAR PAGODA LITE

MODEL: LL-SPL-PAG-WBA-v1



35\*  
Lumens



## SOLAR PAGODA LITES

The Solar Pagoda Piling Light provides the classic Florida dock appearance without electrical wires. A super bright LED illuminates the fixture to provide a soft, ambient glow that is not blinding at eye level.

Our new patented magnet technology allows a quick change of LED intensity for adjustment of the 7-brightness settings. Fast and simple brightness setting for seasonal weather conditions. Available in white powder coat finish with White, Blue or Amber LED.

### LIGHT CHARACTERISTICS

Light Source	2-Ultra-High intensity Cree XBD LED (White/Amber/Blue)
Lumens output	3/7/12/17/23/28/35 *Varies with Color & Power / Brightness Settings
Available LED Colors	White, Amber & Blue
Light Mode Options	Constant
Visible Range	0.1-0.5 Nautical Mile *Varies with LED color & Brightness Settings
Horizontal Output (degrees)	360°
Vertical Divergence (degrees)	100-180° Various with Mounting
LED Life Expectancy (hours)	> 100,000 hrs

### ELECTRICAL CHARACTERISTICS

Circuit Protection	Integrated
Nominal Voltage (v)	3.2v
Autonomy (hours)	6-24hrs *On full Charge * Varies With Brightness Settings & Conditions
Temperature Range	14 to 158° Fahrenheit

### SOLAR CHARACTERISTICS

Solar Module Type	Multicrystalline or Monocrystalline
Power (watts)	0.6w
Solar Module Efficiency (%)	16-17%

### POWER SUPPLY

Battery Type	High Capacity LiFePo4 18500 1000mA
Battery Size	18500
Battery Capacity (mAh)	1000mA
Nominal Voltage (v)	3.2v
Battery Service Life	1-3 years (Varies with local Environment)
Battery Service Access	Yes: User Changeable / Replaceable

### PHYSICAL CHARACTERISTICS

Body Material	Marine Grade Aluminum + Powder Coat
Lens Material	UV-Stabilized Polycarbonate
External Lens Design	NA
Internal Lens design	NA
Waterproof Rating	IP 68
Mounting	Fits on Pilings or flat surfaces 5" diameter and Larger
Height	9.75"
Width / Diameter	10"
Weight	4.0 lbs

### OPTIONS

Custom Options, Sizes, & Colors	Please Contact
Custom Hardware & Mounting	Please Contact

\* Information subject to change without notice



Lake Lite Inc.  
100 Industrial Dr.  
Avilla, IN 46710

Phone: 260-918-2758  
E-mail: sales@lakelite.com  
Web: www.lakelite.com

# SOLAR PAGODA LITE

MODEL: LL-SPL-PAG-WBA-v1



**Caution! When plugging battery connectors together, align notches before connecting both connectors. Failure to do so could result in permanent damage to the light.**

## Battery Information

### LiFePo4 Type Battery:

**Volts: 3.2v Cell Size: 18500 Capacity: 1000mA**

**DO NOT USE: standard 1.2v NiMh or NiCd type Rechargeable batteries or they will be damaged!**



### BATTERY MAINTENANCE & STORAGE

For prolonged storage when NOT using or storing the product please follow these procedures.

1. Charge Batteries inside product on sunny day
2. Before Nightfall Disconnect the battery from the product
3. Store Battery and Product in warm/dry location.
4. **Note:** Batteries can be damaged from sub-zero temperatures when not in use.
5. **Note:** Batteries will be fully depleted and damaged if not disconnected before long term storage.



**CAUTION: PLEASE KEEP OUR ENVIRONMENT CLEAN! BATTERIES MUST BE RECYCLED OR DISPOSED OF PROPERLY.**

## Mounting Hardware Suggestions – Not Included

Mount Type	Hardware	Stainless Steel Recommended
No Through Hole	Screws x Desired Length	
No Through Hole	Lag Bolts & Washers x Desired Length	
Through Hole	Bolts + Nuts + Washers x Desired Length	

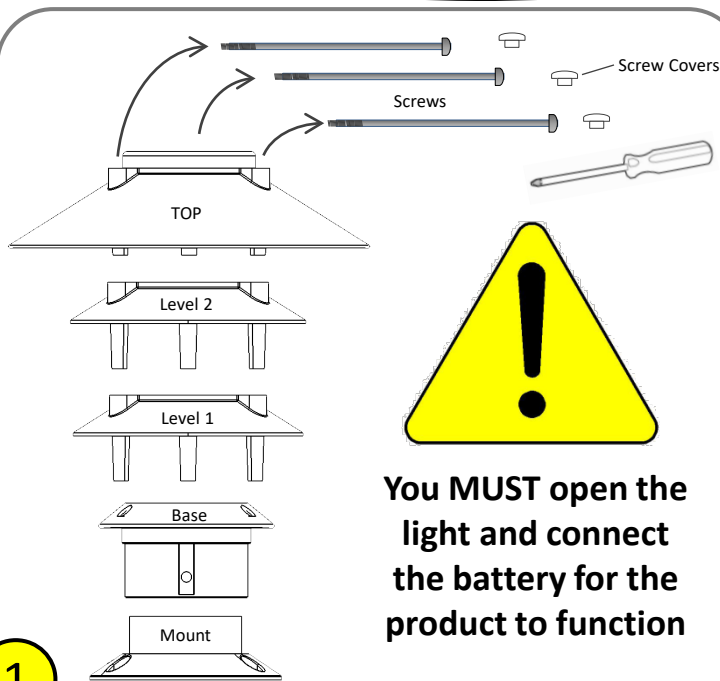


Lake Lite Inc.  
100 Industrial Dr.  
Avilla, IN 46710

Phone: 260-918-2758  
E-mail: sales@lakelite.com  
Web: www.lakelite.com

# SOLAR PAGODA LITE

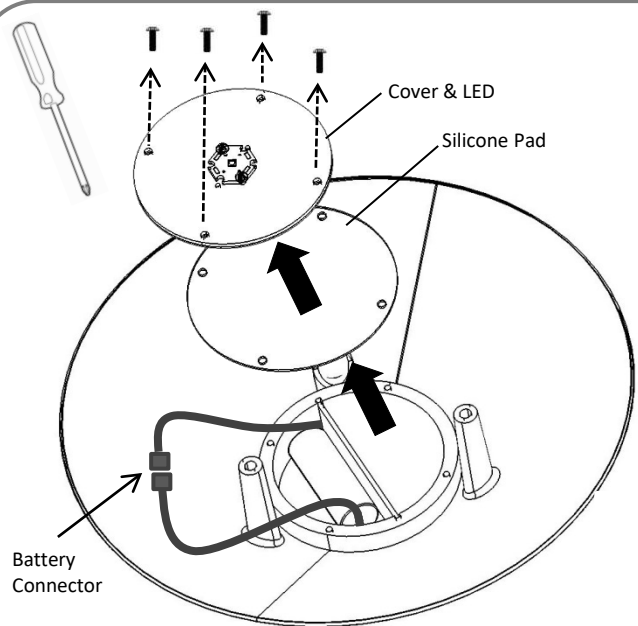
MODEL: LL-SPL-PAG-WBA-v1



**You MUST open the light and connect the battery for the product to function**

1

Use a screw driver to separate your light fixture. The battery is **NOT** connected when shipped. You must connect battery in order for the product to function.



2

Use screwdriver to remove cover & silicone pad. Connect Battery & LED.

**Tuck wires neatly so they do not obstruct the silicone pad. Reassemble silicon pad and cover and tighten securely.**

## Power Setting \* Run Times

Power Setting	* Run Times
100%	6-8 hrs
80%	7-9 hrs
65%	10-12 hrs
50%	13-14 hrs
35%	15-17hrs
20%	17-22 hrs
OFF	OFF
Holding for 5-seconds	Changes LED color

3

**\* Note:** Run times will vary significantly based on; Seasonal Sun Angle, Sun Exposure, Geographic Location, Shading, Installed Location/Position, Battery Condition, Brightness Setting, etc... The following run times should only be used as a general reference and are not guaranteed. Consider your local environment.

## CHANGING BRIGHTNESS LEVELS

Wave the magnet over the solar panel at night until you find the activation area which changes the brightness level.

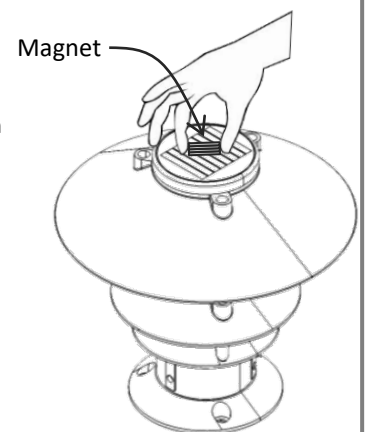
Make a quick up & down motion over this area to change between brightness levels and OFF.

**NOTE:** moving too slowly may activate the magnet switch multiple times going through multiple levels at once. A quick motion will help!

## CHANGING LED COLORS

Hold the magnet over the activation area for 5 seconds until the LED color changes

## NEW MAGNET SWITCH OPERATION



4

Change brightness/power level at night by waving the magnet over the solar panel

Holding the magnet for 5-seconds in the activation area will change to the next LED color. You may then change between brightness/power levels on that LED color.

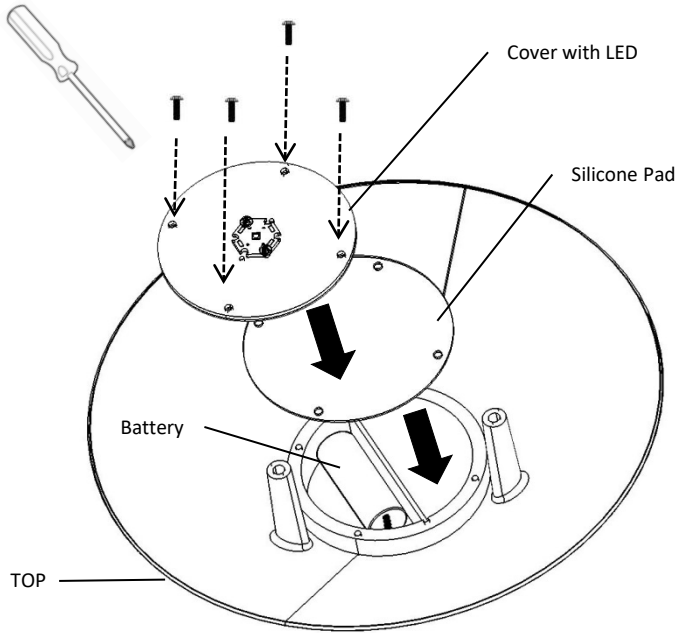


Lake Lite Inc.  
100 Industrial Dr.  
Avilla, IN 46710

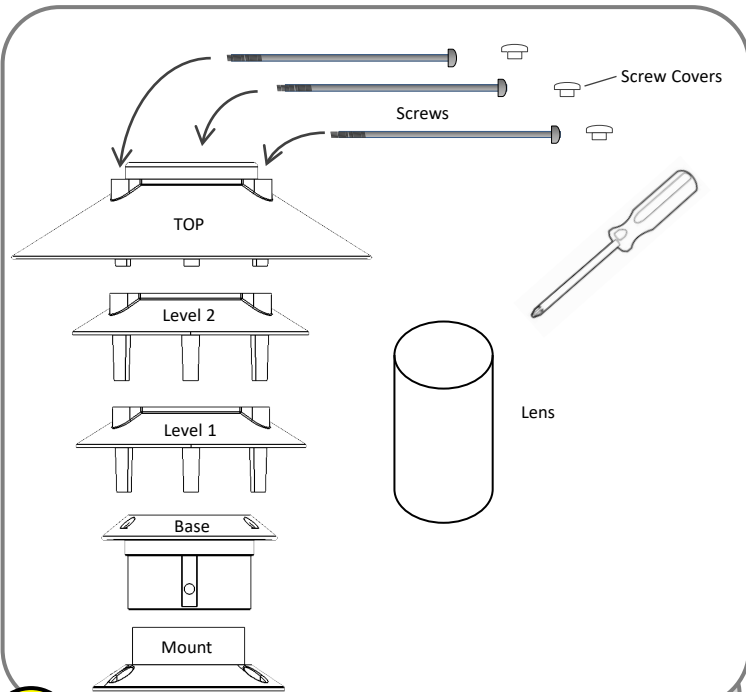
Phone: 260-918-2758  
E-mail: sales@lakelite.com  
Web: www.lakelite.com

# SOLAR PAGODA LITE

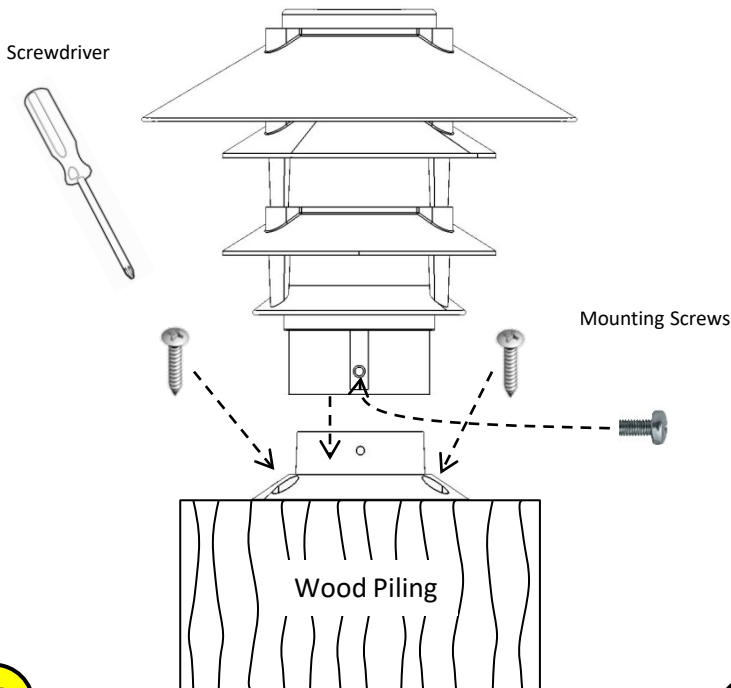
MODEL: LL-SPL-PAG-WBA-v1



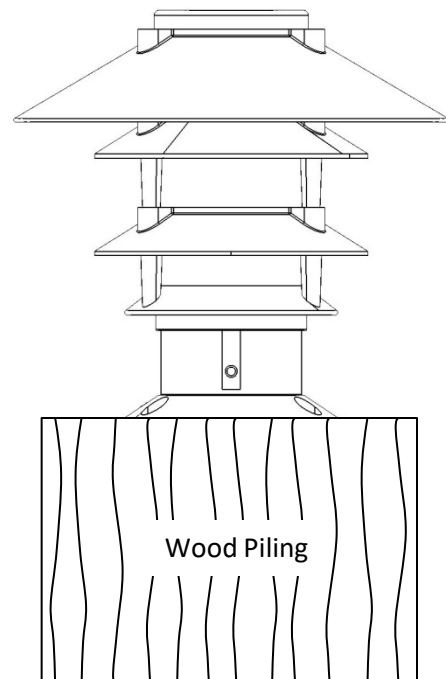
**5** Use the provided screws to secure the silicone pad and cover. Fully tighten screws to ensure the chamber is water proof. Make sure wires are not obstructing the silicone pad.



**6** Use the long screws to assemble the light fixture. The lens is optional: With lens the pagoda will illuminate more. Without the lens more light will escape outward.



**7** Place light onto piling and mark holes. Drill small pilot holes in piling with drill bit. Use screwdriver to secure the light to your piling with mounting screws – *Not Included*



**8** Verify that silicone screw caps are in place. Verify that the base of the light is secured to the piling. Verify the set screw holding the light to base is tight.



Lake Lite Inc.  
100 Industrial Dr.  
Avilla, IN 46710

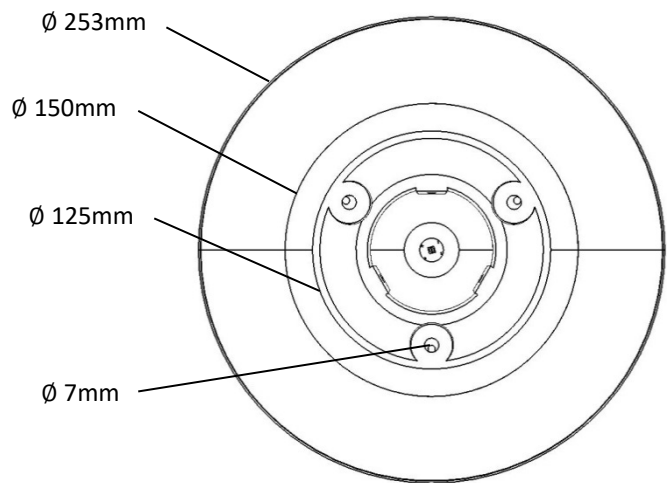
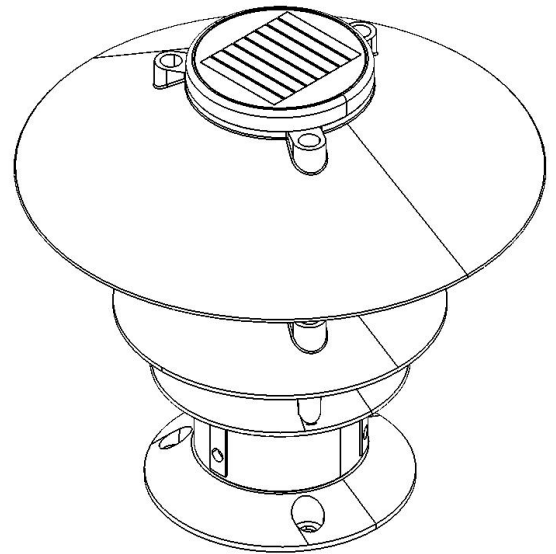
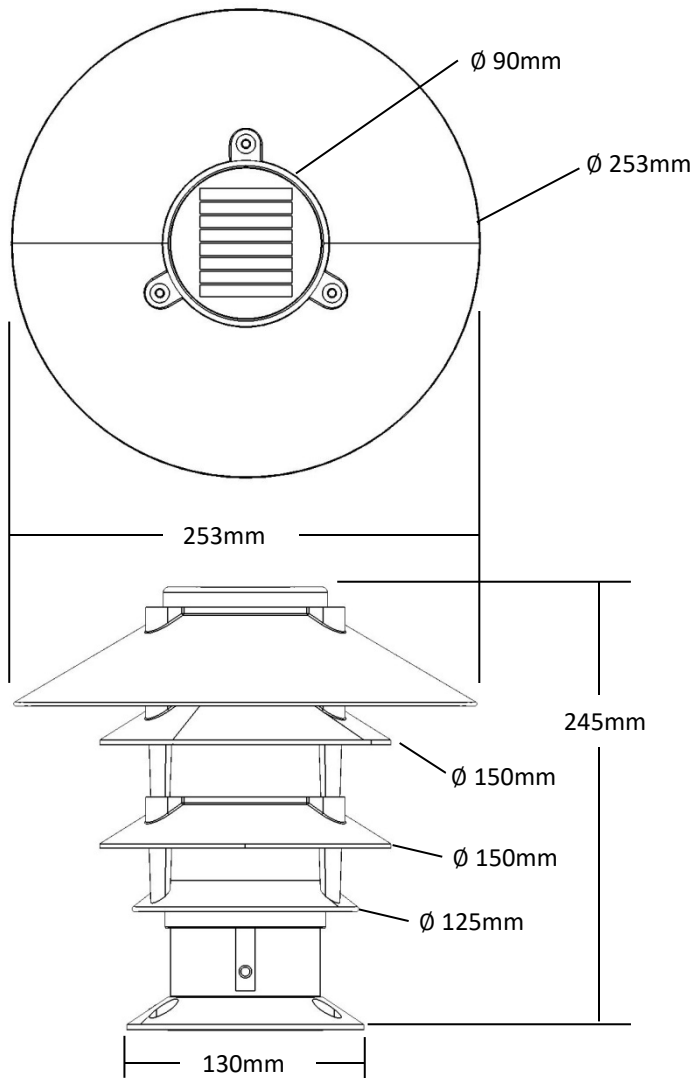
Phone: 260-918-2758  
E-mail: sales@lakelite.com  
Web: www.lakelite.com

# SOLAR PAGODA LITE

MODEL: LL-SPL-PAG-WBA-v1



Dimensions = mm



## Owner Registration Card

Please fill out and affix proper postage and return this owner registration card **within 10 days** to ensure that your new Solar Pagoda Light is covered by the limited warranty.

Purchaser's Name \_\_\_\_\_

Address \_\_\_\_\_

State \_\_\_\_\_ Zip \_\_\_\_\_

Purchase Date: \_\_\_\_\_ Number of Lights: \_\_\_\_\_

Where Purchased (Store Name): \_\_\_\_\_

Model No. LL-SPL-PAG-WBA  
UPC No. \_\_\_\_\_ Varies On Different Models

Lake Lite Inc.  
100 Industrial Dr., Avilla, IN 46710

## Lake Lite Inc. 1-Year Limited Warranty

The retailer warrants the Solar Lite to be free from defects in workmanship and material present at time of shipment from the factory for a period of one year after the date of purchase by the original purchaser. We agree to correct such defects without charge or at our option replace with a comparable or superior model if the product is returned to the retailer. To obtain warranty service, you must present a copy of the receipt as proof of purchase. All costs of removing and reinstalling the product are your responsibility. Damage to any part such as by accident or misuse or improper installation or by affixing any accessories, is not covered by this warranty. There is no other express warranty. The retailer hereby disclaims any and all warranties, including but not limited to, those of merchantability and fitness for a particular purpose to the extent permitted by law. The duration of any implied warranty, which cannot be disclaimed, is limited to the time period as specified in the express warranty. Some states do not allow limitation on how long an implied warranty lasts, so the above limitation may not apply to you. The retailer shall not be liable for incidental, consequential, or special damages arising out of or in connection with product use or performance except as may otherwise be accorded by law. Some states do not allow the exclusion of incidental or consequential damage, so the above exclusion or limitation may apply to you. This warranty gives specific legal rights, and you may also have other rights, which vary from state to state. This warranty supersedes all prior warranties.



Lake Lite Inc.  
100 Industrial Dr.  
Avilla, IN 46710

Phone: 260-918-2758  
E-mail: sales@lakelite.com  
Web: www.lakelite.com